

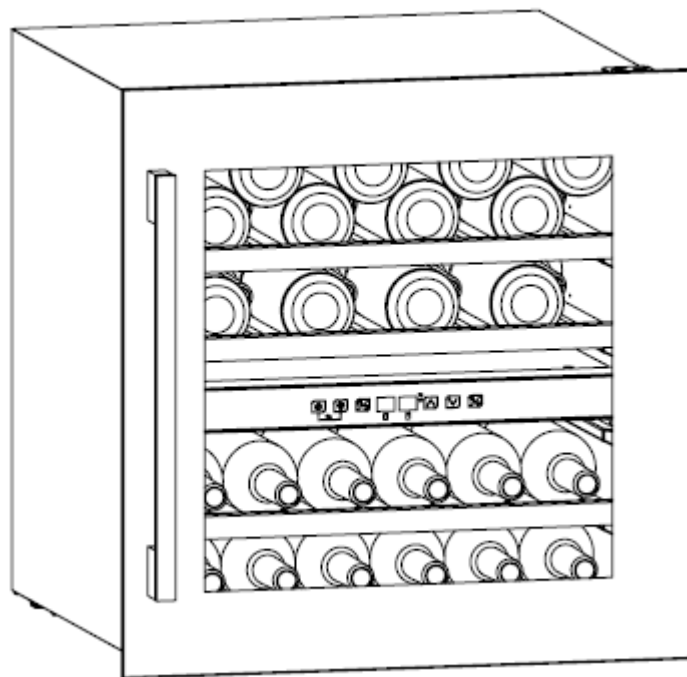
- EN** Installation, use and maintenance instructions
- ES** Instrucciones para la instalación, el uso, el mantenimiento
- PT** Instruções para instalação, utilização e manutenção
- FR** Instructions pour l'installation, l'utilisation, l'entretien
- DE** Anweisungen für die Installation, den Gebrauch, die Wartung

EN

Wine Cooler

Instruction Manual

NorCare V36BK



NOTE: Thank you for your purchase and use our compressor wine cooler! This product is used to chill red wine. Our product will create perfect temperature and humidity environment to store your collection of wine quietly and peacefully.

Content

Safety instructions & warnings.....	3-4
Installation.....	5
Description of the appliance.....	6-9
Operation.....	10-12
Troubleshooting.....	13
Maintenance and cleaning.....	14
Technical parameters.....	15

Safety instructions & warnings

Your safety is of the utmost importance to our company. Please make sure that you read this instruction booklet before attempting to install or use the appliance. If you are unsure of any of the information contained in this booklet, please contact the Technical Department.



Prohibition



Warning



Caution



Caution

- This appliance can be used by children aged from 8 years and above and persons with reduced physical, sensory or mental capabilities or lack of experience and knowledge if they have been given supervision or instruction concerning use of the appliance in a safe way and understand the hazards involved. Children shall not play with the appliance. Cleaning and user maintenance shall not be made by children without supervision.
- Children aged from 3 to 8 years are allowed to load and unload refrigerating appliances. Children should be supervised to ensure that they do not play with the appliance.
- This appliance is intended for HOUSEHOLD USE ONLY and not for commercial or industrial use.



Warning

- Keep ventilation openings, in the appliance enclosure or in the built-in structure, clear of obstruction.
- Do not use mechanical devices or other means to accelerate the defrosting process, other than those recommended by the manufacturer.
- Do not damage the refrigerant circuit.

- Do not use electrical appliances inside the storage compartments of the appliance, unless they are of the type recommended by the manufacturer.
- Make sure that the appliance is connected to power supplying accordance with the rating label.
- Use an independent grounded socket with 10A or higher, do not connect to transformer or socket with multiple outlets.
- Make sure socket is grounded properly and do not modify power cord & plug.
- Connect power plug with socket firmly in case of possible risk of fire.
- Plug should be within reach for easy disconnection after the appliance positioned in case of accidents occurred.
- Do not store or burn gasoline or other inflammables near the appliance in case of possible fire.
- Do not store inflammables, explosives, acid & alkaline liquids etc. in the compartment of the appliance.
- Do not operate other appliances in the compartment.

Child Safety

- Do not allow child play inside the appliance in case of entrapment.
- Do not allow child hang on the door to play in case of falling of the appliance.
- Do not allow child reach into compressor compartment or touch metal components at rear of the appliance in case of possible injury.

Keep away from water

- Do not spray water on the appliance or wash the appliance by pouring or filling water in case of invalid insulation and possible electric shock.

Be careful of freezing

- Do not touch surface of the liner inside the compartment, especially with wet hand, in case of frozen injury while the appliance is in operation.

Do not open the door for long periods

- Opening the door for long periods can cause a significant increase of the temperature in the compartments of the appliance.

Modification on the appliance not allowed

- Do not reconstruct the appliance by yourself which might cause damages to the appliance.

Do not open the door for long periods

- Opening the door for long periods can cause a significant increase of

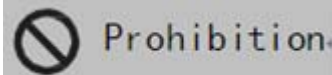
the temperature in the compartments of the appliance.

Unplug the appliance under certain conditions

- Unplug the appliance before cleaning & maintenance.
- Unplug the appliance when power cut occurred.

Disposal of the appliance

- Please according to local regulations regarding disposal of the appliance for its flammable refrigerant and blowing gas.
- Before you scrap the appliance, please take off the doors to prevent children trapped.
- Send the appliance to the designated disposal location.



Do not damage the power cord

- Do not disconnect the appliance by pulling power cord rather than pulling the plug.
- Do not set the appliance above the power cord or step on the cord intentionally.
- Put the power cord at right place when moving the appliance.

When the power cord is damaged

- Do not use damaged power cord, and get it replaced immediately by manufacturer service agent or by qualified electrician.
- If needed, extend the power cord with cord of 0.75mm² or bigger by qualified electrician.

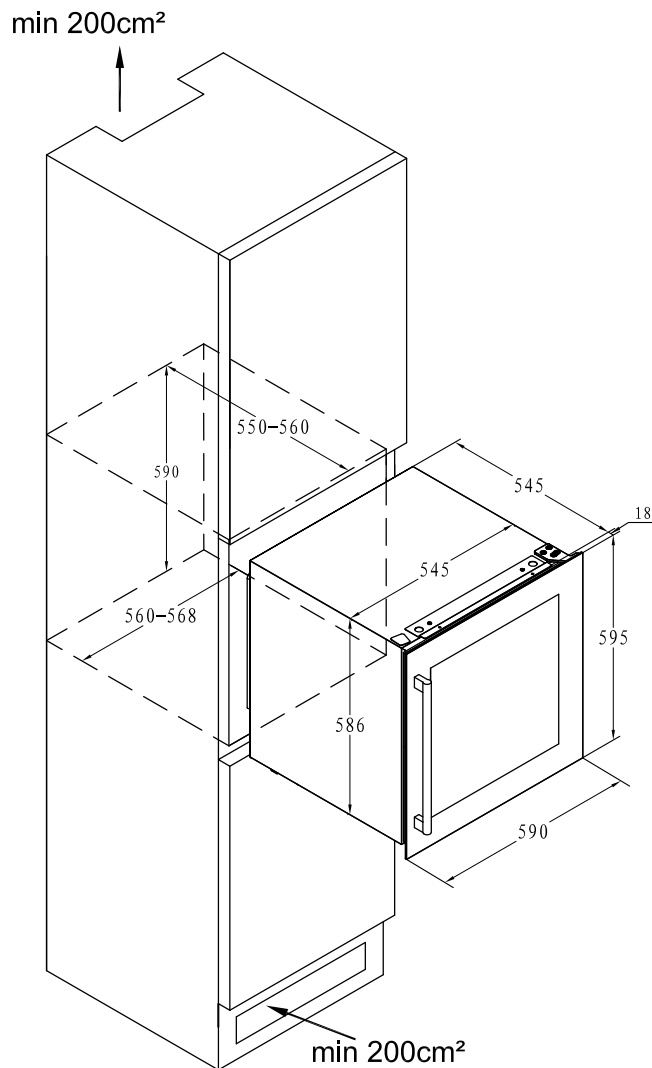
Installation

Position

- ⚠ Do not lean the appliance over 45° when moving it to position.
- ⚠ The appliance must be put on flat, firm & dry floor or similar noncombustible pad; do not use the package foam pad.
- ⚠ Do not put the appliance in the wet place.
- ⊘ Do not use the appliance in the frozen place.
- ⊘ Do not use the appliance outdoor in case of sunlight or rain.

The appliance is designed to to fully build into the cabinet.

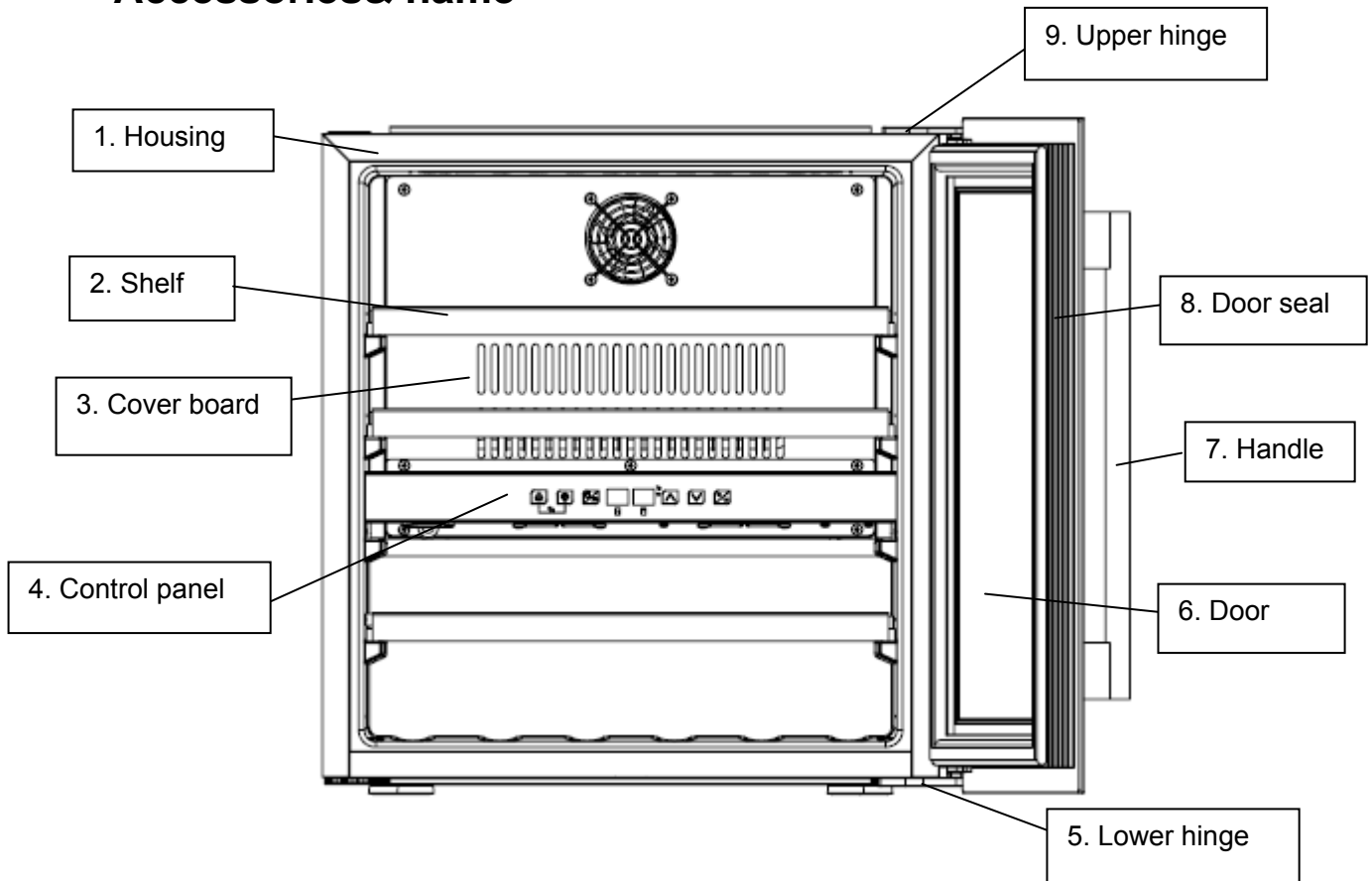
Demonstration for building into the cabinet:



Wine bottles could be stored when you feel cooling inside after the appliance operates around 1 hour.

Description of the appliance

Accessories & name



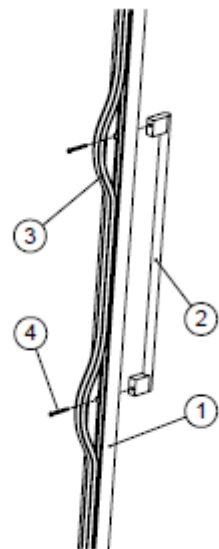
Note: Shelves, door frame, handle and other accessories could be different according to different models and configuration. All photos in this manual are for reference. The appliance you buy might not be exactly the same as shown here. Please refer to the actual product.

Installing the handle and reversing the door of wine cooler

1. Install handle to the door frame of the appliance.

The handle is delivered in a separated package with screws together inside the carton.

① Reveal two small holes on the door frame from inner side by pulling out a bit the door seal ② Aim the handle to the holes and insert the screws from inside ③ Screw them up with screw-driver ④ Put back door seal to cover the screws.



2. Reversing the door

Our wine cooler is delivered with the door opening from left to right. To reverse the opening direction:

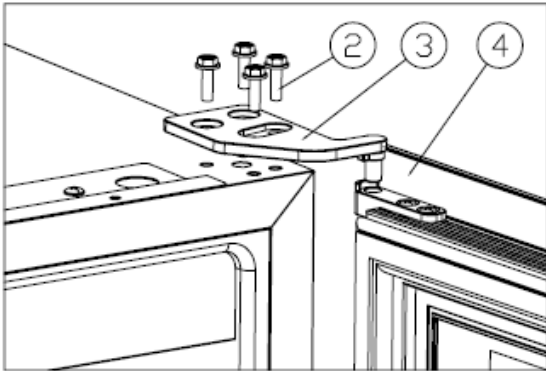


Figure 1

- ✧ Open the door at 90 degrees and keep it steady.
- ✧ Unscrew the M5*16 screws ②, dismantle the right upper hinge ③, and remove the door. [Figure 1].

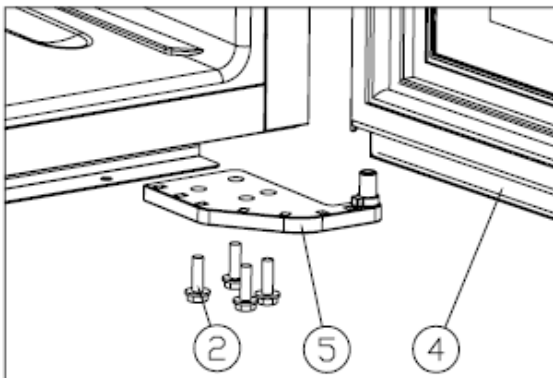


Figure 2

- ✧ Unscrew the M5*16 screws ②, dismantle the right lower hinge ⑤. [Figure 2]

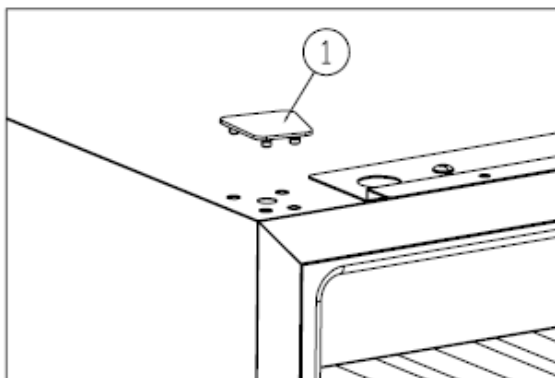


Figure 3

- ✧ Remove the germinal lid ①. [Figure 3]

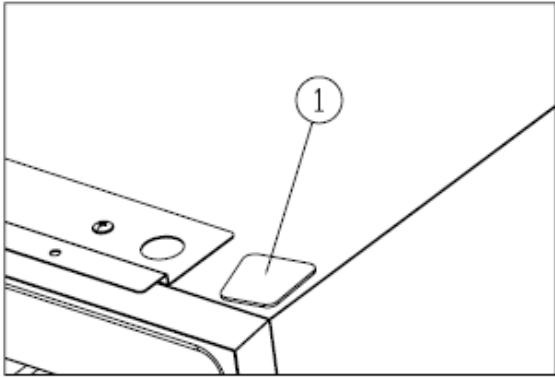


Figure 4

✧ Install the germinal lid①.[Figure 4]

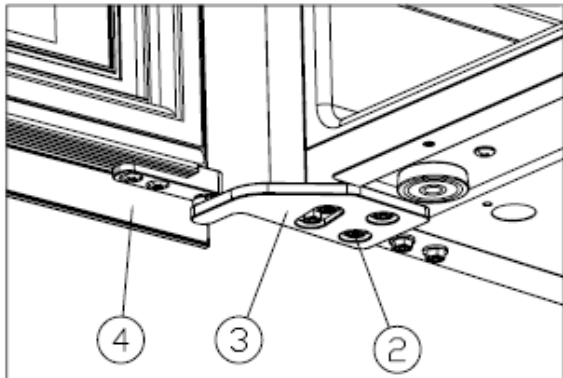


Figure 5

✧ Install the right upper hinge ③,and screw tight theM5*16 screws②.[Figure 5]

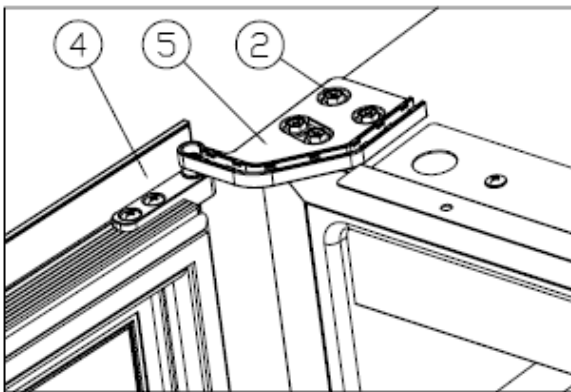
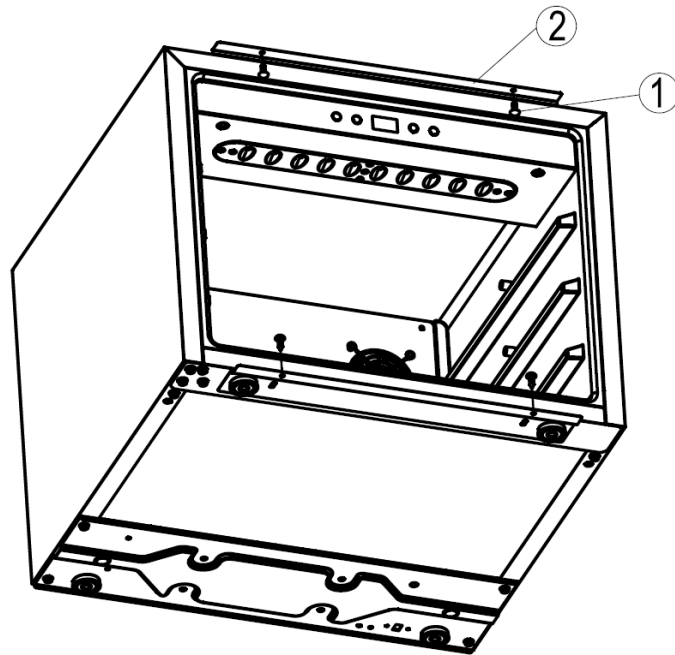


Figure 6

✧ Turn the door④ 180 degrees, and insert the right lower hinge⑤,screw tight M5*16 screws②.[Figure 6]Door reversing is finished.

3. Bracket installation



The appliance is equipped with a pair of brackets at the top(②) and at the bottom. This pair of brackets might not be needed and can be removed as per your actual installation situation when you build the appliance into your closet.

If the opening size of your closet is bigger than the appliance, you could fix 4 screws(①,ST4.0*13) (packed separately in a plastic bag) into the inner wood plate of closet.

In this way, the appliance will be built-in and fixed tight with your closet.

Note: Seller should not bear responsibility for any damages to the door or other parts during operation if the end-user does not follow this instruction to fix the appliance with closet when needed.

Operation

Start operation

1. Cleaning the compartment

Before power on, clean inside of the appliance and check the drainage pipe in good connection. (For details, please refer to the “Maintenance and cleaning”)

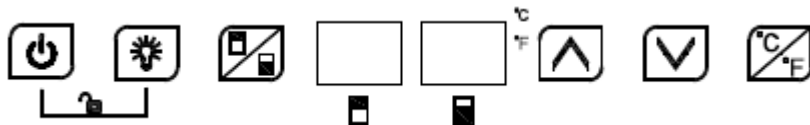
2. Put the appliance still

Before power on, level the appliance on the firm & dry floor for at least 30 minutes.

3. Power on

The appliance start operation and it will cool down inside after 1 hour, otherwise you should check the power connection.

Control panel



All keys would be invalid in lock mode. Please unlock first.



ON/OFF

1. Keep pressing the key 3 seconds, power down, goes to stand-by mode.
2. Keep pressing the key again 3 seconds to return back to normal working.



Light

Press the key, turn on or turn off the LED lights inside. In stand-by mode, the key is invalid.



Zone switch

Press the key to switch between upper zone and lower zone for choosing which zone to set temperature. Press the key once, the LED display in chosen zone flash regularly. Press up and down key to set temperature. Press the key again; switch the zone to set temperature.



UP

Press the key once, LED Display in regular flash showing current set temperature. Continue pressing to adjust set temperature, one press increase 1°C. Regular flash quit after 5 seconds detecting no press and new set temperature save. LED display return to show actual temperature inside.



Down

Press the key once, LED Display in regular flash showing current set temperature. Continue pressing to adjust set temperature, one press reduce 1°C. Regular flash quit after 5 seconds detecting no press and new set temperature save. LED display return to show actual temperature inside.



Child Lock (Combination key)

1. Lock : Press both keys at the same time for 3 seconds to lock.
2. Unlock : Press both keys at the same time for 3 seconds to unlock.



Fahrenheit/Celsius display interchange

Switch temperature display between Fahrenheit and Celsius by pressing the key for 3 seconds.

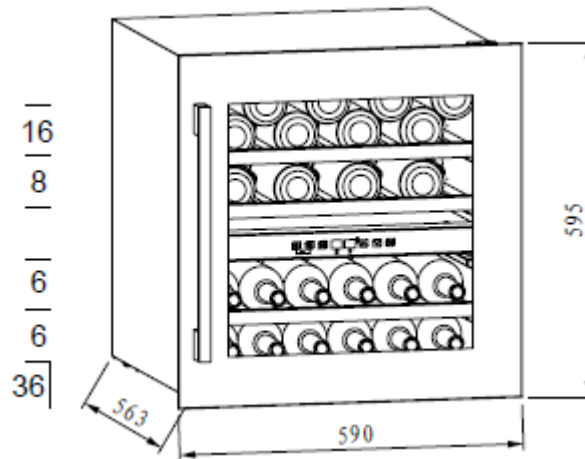


Attention

1. The ex-factory temperature of this product is 12°C , and the corresponding temperature range needs to be set according to the actual wine.
2. For both upper and lower zone, the cooling temperature could be set from **5-22°C**. And temperature of lower zone could only be set equal to or higher than that of upper zone.
3. Alarm sound: when the system malfunction occur and alarm sound, press any key on the control panel to cancel the alarm sound.
4. Error code:
 - When the temperature sensor of upper zone failure occur, error code displays: E1 for open circuit; E2 for short circuit.
 - When the defrost sensor failure occur, error code displays: E3 for open circuit; E4 for short circuit.
 - When the temperature sensor of Lower zone failure occur, error code displays: E5 for open circuit; E6 for short circuit.

Wine storage

- ✧ The appliance equip with sufficient independent shelf to allow your collection of wine get mature quietly and peacefully.
- ✧ 3 been wooden shelves loading capacity: **36** bottles. (standard Bordeaux with 750ml)



- ✧ Loading capacity will vary in terms of different way of bottle arrangement or different bottle sizes.
- ✧ Each shelf is designed to put on 1 or 2 layers of wine bottles. More than 2 layers of bottle arrangement on one shelf are not recommended.
- ✧ Each shelf could pull out partly to store wine bottles easily.
- ✧ Open the door straight enough before pulling out shelves.
- ✧ The shelf should be avoided in front of the fan as much as possible to avoid blocking the air inlet and affecting the cooling efficiency.
- ✧ If the wine cooler would have no load for a long time, it is recommended to power it off, clean it carefully, and open the door for ventilation.
- ✧ Below table is the recommended temperature for wine storing & drinking:

Red Wine	15-18°C
White Wine	9-14°C
Rose wine	10-11°C
Champagne & sparkling wine	5- 8°C

Troubleshooting

The appliance makes lots of noise?	<ul style="list-style-type: none"> ● Please adjust the front foot, keep the appliance leveling. ● Please keep the appliance a bit space from walls.
Liquid flowing sound inside the cabinet?	<ul style="list-style-type: none"> ● It is normal because of the refrigerant working inside.
The appliance does not start?	<ul style="list-style-type: none"> ● Make sure the appliance is connected to the power properly. ● Make sure switch on the power. ● The compressor re-starts after 5 minutes for a power cut.
Compressor runs continuously?	<ul style="list-style-type: none"> ● If no cold is being produced, call the after-sale service.
Door does not seal tightly?	<ul style="list-style-type: none"> ● After long time use, the door seal might get stiff & distorted partially. <ol style="list-style-type: none"> 1. Heat the door seal with hot-wind blower or hot towel. 2. The door seal get softened and close the door.
The appliance does not cool sufficiently?	<ul style="list-style-type: none"> ● Please adjust temperature setting. ● Keep the appliance away from sunlight or heat. ● Please do not open the door frequently.
Unpleasant smells inside cabinet?	<ul style="list-style-type: none"> ● A little bit plastic smell for newly-buy appliance is normal and will disappear after a short time. ● Clean the compartment and ventilate it for a few hours.
Condensate on the glass door?	<ul style="list-style-type: none"> ● Please do not open the door frequently or for a long time. ● Please do not set the temperature too low. ● High ambient temperature and humidity would cause condensate.
The light is not working?	<ul style="list-style-type: none"> ● Check the power supply first. ● Call the retailer's after-sale service if the light is broken.

Maintenance and cleaning

Cleaning

- Disconnect the appliance before cleaning.
- Clean the appliance with soft cloth or sponge by water.
- Do not use organic solvents, alkaline detergent, boiling water, washing powder or acid liquid etc.
- Do not flush the compartment of the appliance.
- Clean regularly surfaces that can come in contact with accessible drainage systems.

The below items will damage the surface of wine cooler:



Power cut

Most power cuts could be resolved within a short time. To protect your wines during a power cut, avoid opening the door as much as possible. During very long power cuts, take the necessary measures to protect your wine.

Out of service for long time

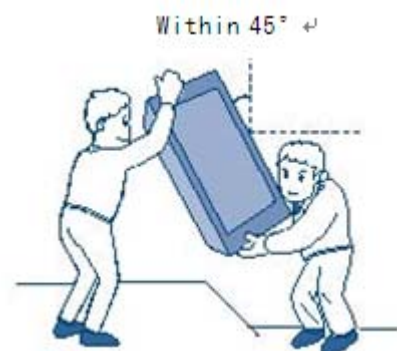
Remove all bottles from the appliance, switch off, defrost, clean, dry, and leave the door open to prevent mould developing within the appliance.



If the appliance is disconnected or if there is a power cut, you must wait at least five minutes before re-starting.

Moving the appliance

- Cut off the power supply and unplug the appliance.
- Remove all bottles from the appliance.
- When moving the appliance, do not lean the appliance over 45°.



Technical parameters

Product model	NorCare V36BK
Voltage/frequency	220-240V ~ /50Hz
Refrigerant/weight	R600a/25g
Effective volume	85 L
Loading capacity	36 bottles
Net weight	33.2kg
Unit dimension (WxDxH)	590×563×595mm
Packing dimension (WxDxH)	650×650×655mm

Remarks :

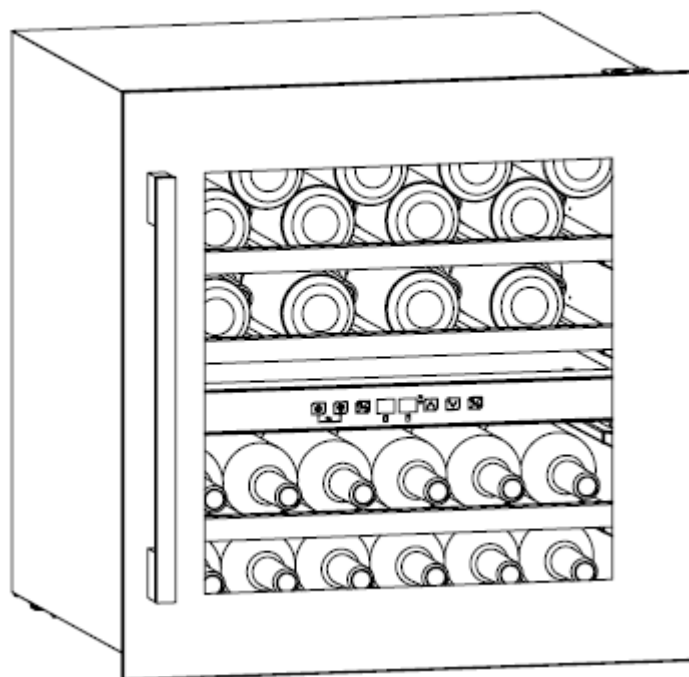
1. The Net weight includes shelves and the Unit dimension is without handle on the door.
2. The manufacturer reserves all the rights to change the above parameters without prior notice. Please refer to the nameplate of your appliance.
3. Loading capacity will vary in terms of different way of bottle arrangement or different bottle sizes (standard Bordeaux with 750ml is applied here).

ES

Enfriador de vino

Manual de instrucciones

NorCare V36BK



NOTA: Gracias por comprar y utilizar nuestro enfriador de vino con compresor. Este producto se utiliza para enfriar el vino tinto. Nuestro producto creará un ambiente perfecto de temperatura y humedad para guardar su colección de vino de manera tranquila y serena.

Índice

Advertencias e instrucciones de seguridad.....	18-19
Instalación.....	20
Descripción del aparato.....	21-24
Funcionamiento.....	25-27
Resolución de problemas.....	28
Mantenimiento y limpieza.....	29
Parámetros técnicos.....	30

Advertencias e instrucciones de seguridad

Su seguridad es de suma importancia para nuestra empresa. Asegúrese de leer este folleto antes de instalar o utilizar el aparato. Si no está seguro de la información contenida en este folleto, póngase en contacto con el departamento técnico.



Prohibición



Advertencia



Precaución



Precaución

- Este electrodoméstico lo pueden usar niños a partir de 8 años y personas con capacidades sensoriales o mentales reducidas o con falta de experiencia y conocimiento si cuentan con la supervisión o las instrucciones necesarias relativas al uso seguro del aparato y comprenden los peligros que este entraña. Los niños no deben jugar con el aparato. Los niños no deben realizar las tareas de limpieza y mantenimiento sin supervisión.
- Los niños de 3 a 8 años pueden poner y sacar cosas de los aparatos de refrigeración. Los niños deben estar vigilados para garantizar que no juegan con el electrodoméstico.
- Este aparato está diseñado **EXCLUSIVAMENTE PARA USO DOMÉSTICO** y no para un uso comercial ni industrial.



Advertencia

- Mantenga los orificios de ventilación, situados en la carcasa del aparato o en la estructura interna, libres de cualquier obstrucción.
- Utilice únicamente los dispositivos mecánicos u otros medios recomendados por el fabricante para acelerar el proceso de descongelación.

- No dañe el circuito refrigerante.
- Utilice únicamente aquellos aparatos eléctricos dentro de los compartimentos de almacenaje del electrodoméstico recomendados por el fabricante.
- Asegúrese de que el aparato esté conectado a la fuente de alimentación de acuerdo con la etiqueta de clasificación.
- Utilice un enchufe con una conexión a tierra independiente, con 10 A o superior; no lo conecte a un transformador ni a un enchufe con varias salidas.
- Asegúrese de que la toma esté puesta a tierra correctamente y no modifique el cable de alimentación ni el enchufe.
- Para evitar el riesgo de incendio, conecte firmemente el enchufe de alimentación a la toma.
- Al colocar el aparato, el enchufe debe quedar al alcance de la mano para que se pueda desconectar fácilmente en caso de que se produzca un accidente.
- No almacene ni queme gasolina ni otros productos inflamables cerca del aparato, ya que podría producirse un incendio.
- No almacene productos inflamables, explosivos, líquidos ácidos y alcalinos, etc., en el compartimiento del aparato.
- No haga funcionar otros aparatos en el compartimiento.

Seguridad infantil

- No permita que los niños jueguen dentro del aparato, ya que podrían quedar atrapados.
- No permita que los niños se cuelguen de la puerta para jugar, ya que podría caerse el aparato.
- No permita que los niños toquen el compartimiento del compresor ni los componentes metálicos que hay en la parte posterior del aparato, ya que podrían sufrir lesiones.

Mantener alejado del agua

- No rocíe agua sobre el aparato ni lo lave vertiendo o llenándolo de agua, ya que no cuenta con un aislamiento apropiado y podría producirse una descarga eléctrica.

Precaución con la congelación

- No toque la superficie del revestimiento interior del compartimiento, especialmente con las manos mojadas, ya que podrían producirse lesiones por congelación mientras el aparato está en funcionamiento.

No abra la puerta durante un tiempo prolongado

- Abrir la puerta durante mucho tiempo puede provocar un importante aumento de la temperatura en los compartimentos del aparato.

No se permite ninguna modificación en el aparato

- No reconstruya el aparato por su cuenta, ya que podría dañarlo.

No abra la puerta durante un tiempo prolongado

- Abrir la puerta durante mucho tiempo puede provocar un importante aumento de la temperatura en los compartimentos del aparato.

Desconexión del aparato en ciertas condiciones

- Desenchufe el aparato antes de realizar las tareas de limpieza y mantenimiento.
- Cuando se produzca un corte de energía, desenchufe el aparato.

Eliminación del aparato

- La eliminación del aparato debe realizarse de acuerdo con la normativa local referente al uso de gases inflamables y de refrigerantes.
- Antes de desechar el aparato, retire las puertas para evitar que los niños queden atrapados.
- Envíe el aparato al lugar de eliminación designado.



Prohibición

No dañar el cable de alimentación

- Para desconectar el aparato, tire del enchufe y no del cable de alimentación.
- No coloque el aparato encima del cable de alimentación ni lo pise intencionalmente.
- Coloque el cable de alimentación en el lugar correcto cuando mueva el aparato.

En caso de daños en el cable de alimentación

- No utilice un cable dañado, y solicite al agente de servicio del fabricante o a un electricista cualificado que lo sustituya de inmediato.
- Si es necesario, pida a un electricista cualificado que tienda un cable de alimentación de 0,75 mm² o más.

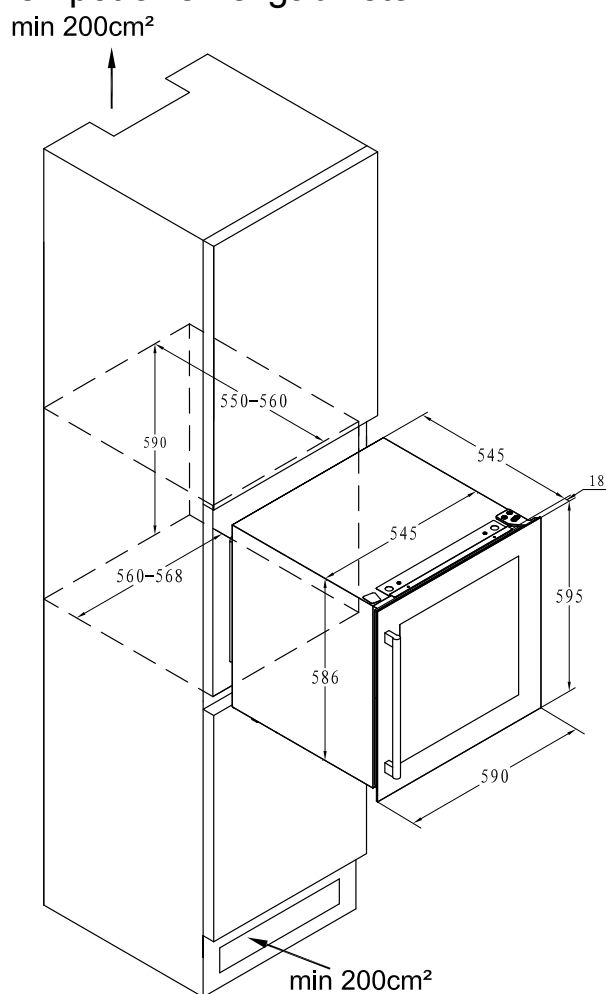
Instalación

Posición

- ⚠ No incline el aparato más de 45° cuando lo coloque en su posición.
- ⓘ El aparato debe colocarse sobre una superficie plana, firme y seca o sobre una alfombrilla ignífuga similar; no utilice la almohadilla de espuma incluida en el paquete.
- ⓘ No coloque el aparato en un lugar húmedo.
- ⊘ No utilice el aparato en un lugar congelado.
- ⊘ No utilice el aparato al aire libre, para protegerlo de la luz solar o la lluvia.

El aparato está diseñado para su colocación bajo una encimera o independientemente sobre el suelo.

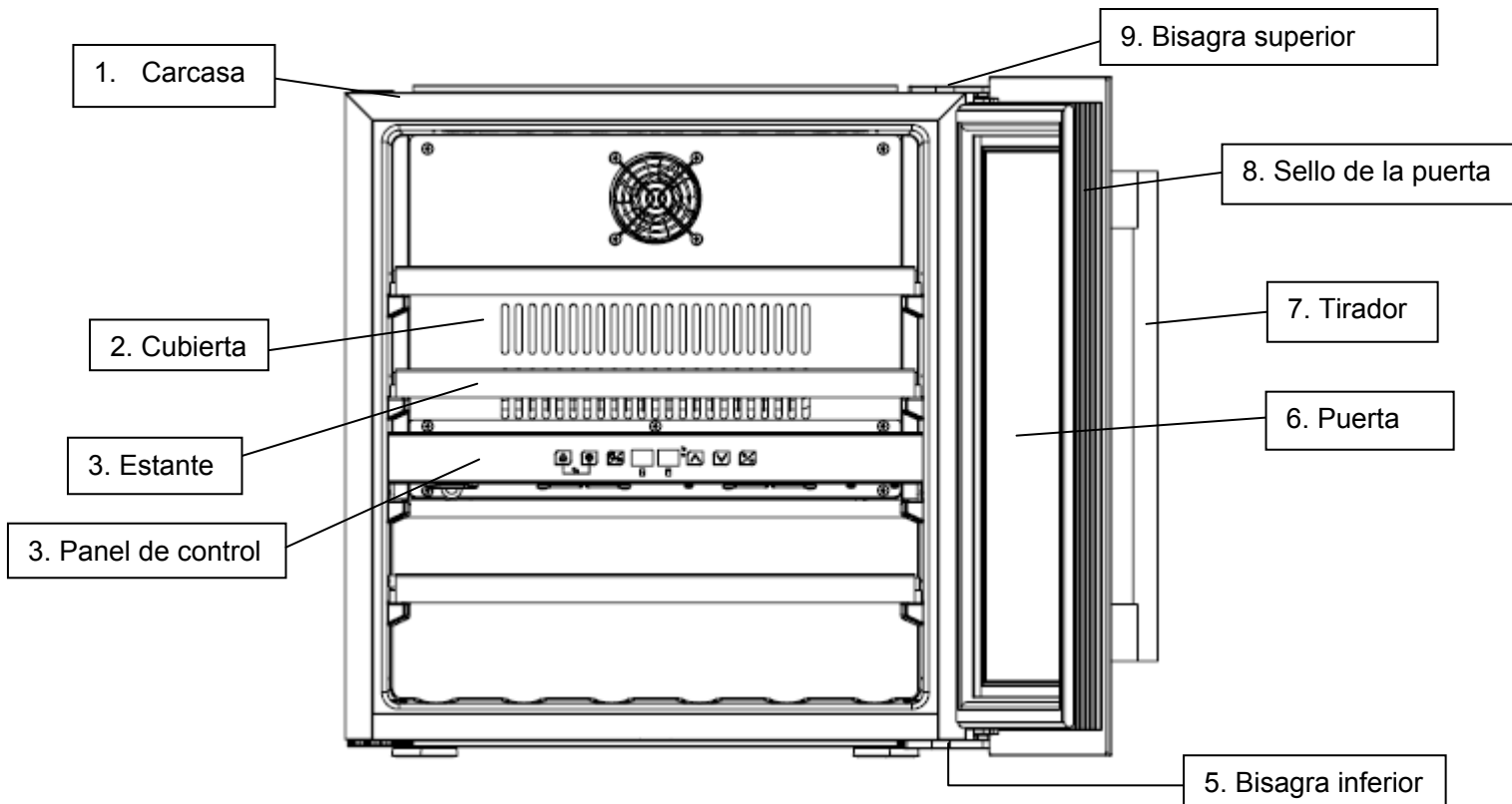
Demostración para empotrar en el gabinete:



Las botellas de vino se pueden guardar cuando se note el frío en el interior, después de haber estado funcionando aproximadamente 1 hora.

Descripción del aparato

Accesorios y nombres



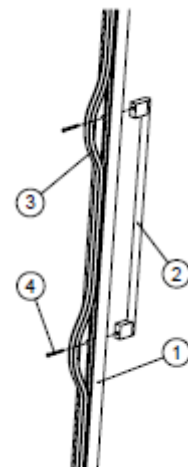
Nota: Los estantes, el marco de la puerta, el tirador y otros accesorios podrían ser diferentes, dependiendo de los distintos modelos y configuraciones. Todas las fotos de este manual sirven únicamente como referencia. El aparato que haya adquirido puede no ser exactamente el mismo que el que se muestra aquí. Consulte el folleto del producto real.

Instalación del tirador y cambio del lado de apertura de la puerta del refrigerador de vino

1. Montar el tirador en el marco de la puerta

El tirador y los tornillos se entregan en un paquete aparte dentro de la caja.

- ① Descubra los dos orificios pequeños situados en el marco de la puerta, desde el lado interior, sacando un poco el sello de la puerta.
- ② Coloque el tirador encima de los orificios e introduzca los tornillos desde dentro.
- ③ Atorníllelos con un destornillador.
- ④ Vuelva a colocar el sello de la puerta para cubrir los tornillos.



2. Cambio del lado de apertura de la puerta

Nuestro refrigerador de vino se entrega con la apertura de la puerta de izquierda a derecha. Para cambiar el sentido de apertura:

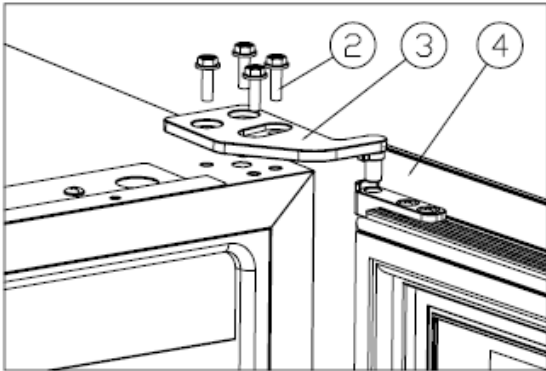


Figura 1

- ✧ Abra la puerta a 90° y sujétela firmemente.
- ✧ Desatornille los tornillos M5*16 ②, desmonte la bisagra superior derecha ③ y retire la puerta (figura 1).

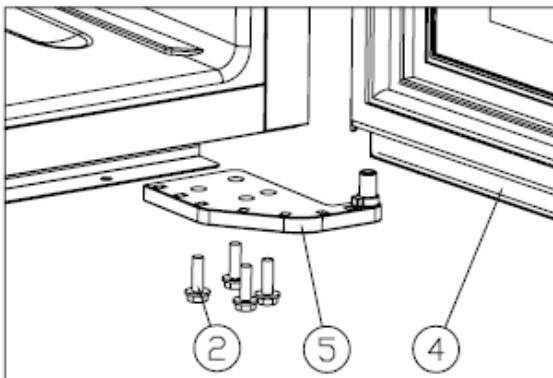


Figura 2

- ✧ Desatornille los tornillos M5*16 ②, desmonte la bisagra inferior derecha ⑤ (figura 2).

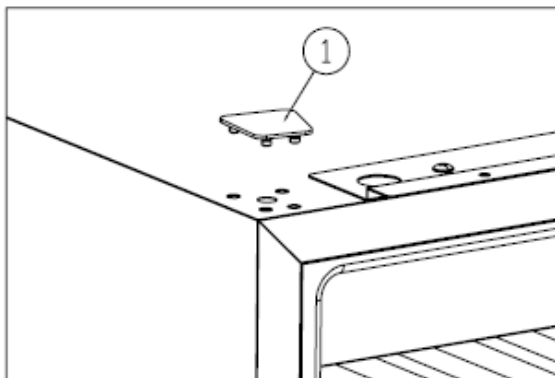


Figura 3

- ✧ Retire la tapa germinal ① (figura 3).

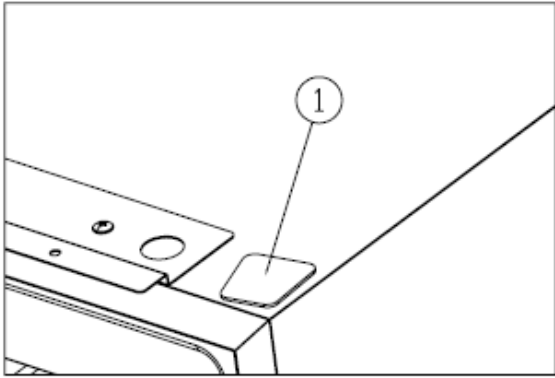


Figura 4

- ✧ Instale la tapa germinal ① (figura 4).

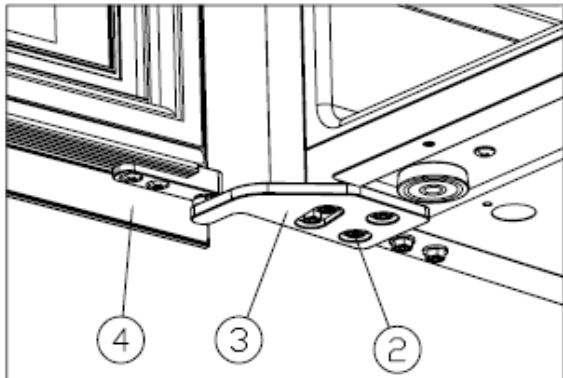


Figura 5

- ✧ Instale la bisagra superior derecha ③, y atornille los tornillos M5*16 ② (figura 5).

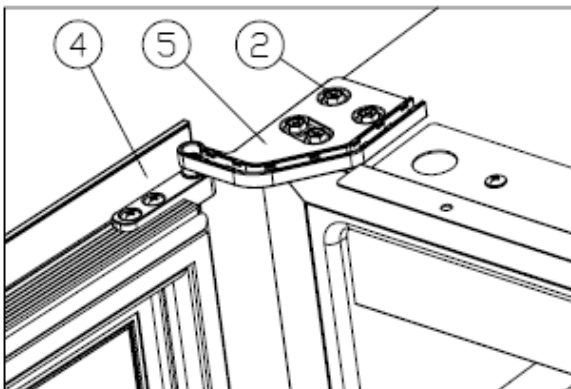
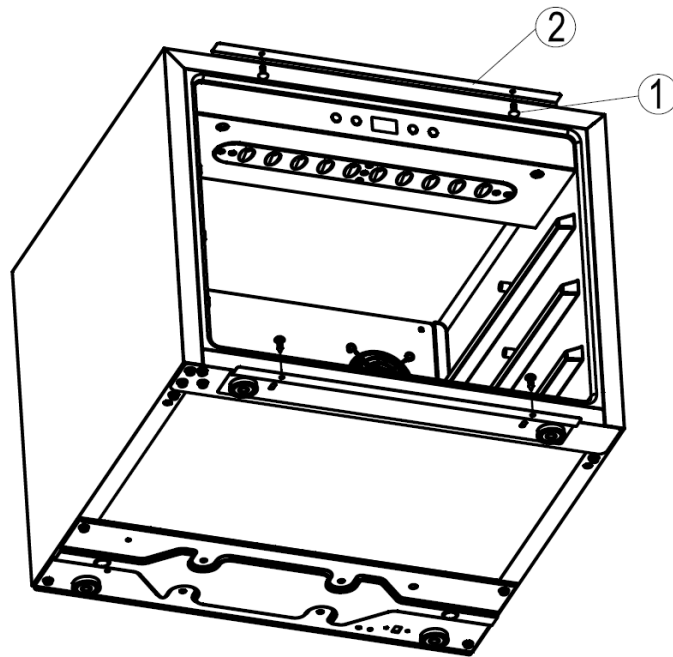


Figura 6

- ✧ Gire la puerta ④ 180°, introduzca la bisagra inferior derecha ⑤ y atornille los tornillos M5*16 ② (figura 6). El cambio del lado de apertura de la puerta ha finalizado.

3. Instalación del soporte



El aparato está equipado con un par de soportes en la parte superior (②) y en la parte inferior.

Es posible que estos soportes no sean necesarios, y pueden retirarse en función de su situación real de montaje cuando coloque el aparato en el armario.

Si el tamaño del hueco de su armario es mayor que el del aparato, puede colocar 4 tornillos (①, ST4.0*13) (envasados por separado en una bolsa de plástico) en el interior de la placa de madera del armario.

De esta manera, el aparato quedará integrado y firmemente fijado al armario.

Nota: El vendedor no asumirá la responsabilidad de los daños que puedan sufrir la puerta u otras piezas durante el funcionamiento si el usuario final no sigue estas instrucciones para fijar el aparato al armario en caso necesario.

Funcionamiento

Iniciar el funcionamiento

1. Limpiar el compartimento

Antes de encender el aparato, limpie su interior y verifique que la tubería de drenaje esté bien conectada. (Para más información, consulte «Mantenimiento y limpieza»).

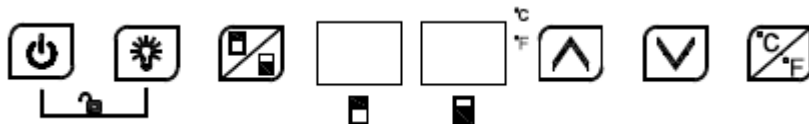
2. Dejar reposar el aparato

Antes de encenderlo, nivele el aparato sobre una superficie firme y seca durante, al menos, 30 minutos.

3. Encender

El aparato comienza a funcionar y su interior deberá estar frío pasada 1 hora. De lo contrario, verifique la conexión de alimentación.

Panel de control



En el modo de bloqueo, todas las teclas estarán inactivas. Realice primero el desbloqueo.



Encendido/apagado

1. Si mantiene pulsada esta tecla durante 3 segundos, el aparato se apaga y entra en modo de espera.
2. Para volver al modo de funcionamiento normal, vuelva a pulsarla durante 3 segundos.



Luz

Al pulsar esta tecla, se encienden o apagan las luces LED del interior. En el modo de espera, esta tecla no está operativa.



Interruptor de zona

Pulse esta tecla para alternar entre las zonas inferior y superior, y elegir la zona en la que desea configurar la temperatura. Si pulsa la tecla una vez, el indicador LED de la zona elegida parpadeará periódicamente. Pulse la tecla de arriba y abajo para ajustar la temperatura. Al pulsar de nuevo la tecla, cambia la zona para ajustar la temperatura.



Arriba

Si pulsa esta tecla una vez, la pantalla LED muestra con un parpadeo periódico la temperatura establecida actualmente. Siga pulsando para ajustar la temperatura establecida; cada pulsación aumenta 1 °C. El parpadeo periódico

desaparece después de 5 segundos de no detectar ninguna pulsación y se guarda la nueva temperatura programada. La pantalla LED vuelve a mostrar la temperatura real que hay en el interior.

Abajo

Si pulsa esta tecla una vez, la pantalla LED muestra con un parpadeo periódico la temperatura establecida actualmente. Siga pulsando para ajustar la temperatura establecida; cada pulsación reduce 1 °C. El parpadeo periódico desaparece después de 5 segundos de no detectar ninguna pulsación y se guarda la nueva temperatura programada. La pantalla LED vuelve a mostrar la temperatura real que hay en el interior.



Bloqueo para niños (combinación de teclas)

1. Bloqueo: pulse ambas teclas a la vez durante 3 segundos para realizar el bloqueo.
2. Desbloqueo: pulse ambas teclas a la vez durante 3 segundos para realizar el desbloqueo.



Intercambio de visualización de grados Fahrenheit/Celsius

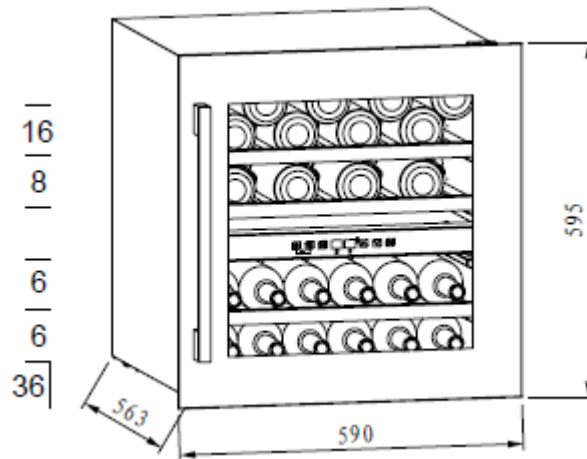
Pulse esta tecla durante 3 segundos para cambiar la visualización de la temperatura entre grados Fahrenheit y Celsius.

Atención

1. La temperatura de fábrica de este producto es 12 °C, y el rango de temperatura correspondiente debe establecerse conforme al vino en cuestión.
2. Tanto para la zona superior como para la inferior, la temperatura de refrigeración puede ajustarse de **5 a 22 °C**. La temperatura de la zona inferior solo se puede establecer en un valor igual o mayor que el de la zona superior.
3. Sonido de la alarma: cuando se produzca un fallo en el sistema y suene la alarma, pulse cualquier tecla del panel de control para cancelar el sonido.
4. Código de error:
Cuando se produce un fallo en el sensor de temperatura de la zona superior, aparece un código de error: E1 para circuito abierto; E2 para cortocircuito.
Cuando se produce un fallo en el sensor de descongelación, aparece un código de error: E3 para circuito abierto; E4 para cortocircuito.
Cuando se produce un fallo en el sensor de temperatura de la zona inferior, aparece un código de error: E5 para circuito abierto; E6 para cortocircuito.

Almacenamiento del vino

- ✧ El aparato está equipado con suficientes estantes independientes para que su colección de vino madure de manera tranquila y serena.
- ✧ Capacidad de carga de tres estantes de madera: **36** botellas (botellas normales de burdeos de 750 ml).



- ✧ La capacidad de carga variará en función de las formas de disposición o de los diferentes tamaños de las botellas.
- ✧ Cada estante está diseñado para poner 1 o 2 filas superpuestas de botellas de vino. No se recomienda superponer más de 2 filas de botellas en un estante.
- ✧ Cada estante puede sacarse parcialmente para guardar las botellas de vino con comodidad.
- ✧ Abra bien la puerta antes de sacar los estantes.
- ✧ En la medida de lo posible, procure que el estante no esté delante del ventilador para evitar que la entrada de aire quede bloqueada y que esto afecte a la eficiencia del proceso de refrigeración.
- ✧ Si el refrigerador de vino se va a mantener vacío durante mucho tiempo, se recomienda apagarlo, limpiarlo con cuidado y dejar la puerta abierta para que esté ventilado.
- ✧ En la tabla siguiente, se muestra la temperatura recomendada para almacenar y beber el vino:

Vino tinto	15-18 °C
Vino blanco	9-14 °C
Vino rosado	10-11 °C
Champán y vino espumoso	5-8 °C

Resolución de problemas

El aparato hace mucho ruido.	<ul style="list-style-type: none"> ● Ajuste la pata delantera para mantener el aparato nivelado. ● Mantenga el aparato un poco alejado de las paredes.
Se escucha el fluir de un líquido dentro del armario.	<ul style="list-style-type: none"> ● Es normal porque el refrigerante se mueve en el interior.
¿El aparato no se pone en marcha?	<ul style="list-style-type: none"> ● Asegúrese de que el aparato esté conectado a la alimentación correctamente. ● Asegúrese de encender la alimentación. ● Si se produce un corte de energía, el compresor se reinicia pasados 5 minutos.
El compresor funciona de manera continua.	<ul style="list-style-type: none"> ● Si no produce frío, llame al servicio de posventa.
¿La puerta no cierra herméticamente?	<ul style="list-style-type: none"> ● Después de un uso prolongado, el sello de la puerta puede endurecerse y quedar parcialmente deformado. <ol style="list-style-type: none"> 1. Caliéntelo con un ventilador de aire caliente o una toalla caliente. 2. El sello de la puerta se ablandará y la puerta quedará cerrada.
¿El aparato no enfría lo suficiente?	<ul style="list-style-type: none"> ● Ajuste la temperatura. ● Mantenga el aparato alejado de la luz solar o del calor. ● No abra la puerta con demasiada frecuencia.
¿Hay olores desagradables dentro del armario?	<ul style="list-style-type: none"> ● Un ligero olor a plástico es normal en un aparato recién comprado, pero desaparecerá en poco tiempo. ● Limpie el compartimiento y ventílelo durante unas horas.
¿Se produce condensación en la puerta de cristal?	<ul style="list-style-type: none"> ● No abra la puerta con frecuencia ni durante un tiempo prolongado. ● No ajuste la temperatura demasiado baja. ● Una temperatura ambiente y una humedad altas causan condensación.
¿La luz no funciona?	<ul style="list-style-type: none"> ● Compruebe primero la fuente de alimentación. ● Si la luz está averiada, llame al servicio de posventa del distribuidor.

Mantenimiento y limpieza

Limpieza

- Desconecte el aparato antes de realizar las tareas de limpieza.
- Limpie el aparato con un paño suave o una esponja húmeda.
- No utilice disolventes orgánicos, detergentes alcalinos, agua hirviendo, detergente en polvo, líquido ácido, etc.
- No enjuague el compartimiento del aparato.
- Limpie con regularidad las superficies que puedan estar en contacto con los sistemas de drenaje.

Los siguientes artículos dañarán la superficie del refrigerador de vino:



Corte de energía

La mayoría de los cortes de energía se resuelven en poco tiempo. Para proteger sus vinos durante un corte de energía, evite abrir la puerta en todo lo posible. Durante cortes de energía prolongados, adopte las medidas necesarias para proteger el vino.

Fuera de servicio durante mucho tiempo

Retire todas las botellas del aparato, apáguelo, descongélelo, límpielo, séquelo y deje la puerta abierta para evitar que se cree moho.



Si desconecta el aparato o si hay un corte de energía, debe esperar al menos cinco minutos antes de reiniciarlo.

Traslado del aparato

- Corte el suministro de energía y desenchufe el aparato.
- Retire todas las botellas.
- Cuando traslade el aparato, no lo incline más de 45°.



Especificaciones técnicas

Modelo del producto	NorCare V36BK
Tensión/frecuencia	220-240 V~/ 50 Hz
Refrigerante/peso	R600a/25g
Volumen efectivo	85 litros
Capacidad de carga	36 botellas
Peso neto	33,2 kg
Tamaño de la unidad (A × P × H)	590×563×595mm
Dimensiones del embalaje (A × P × H)	650×650×655mm

Observaciones:

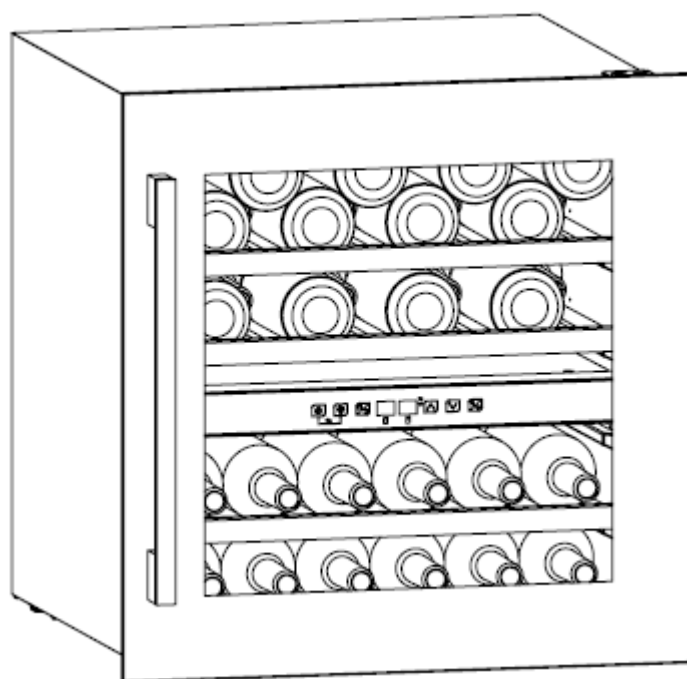
1. El peso neto incluye los estantes. En las dimensiones de la unidad, no se incluye el tirador de la puerta.
2. El fabricante se reserva todos los derechos para cambiar las especificaciones anteriores sin previo aviso. Por favor, consulte la placa de identificación de su aparato.
3. La capacidad de carga variará en función de las formas de disposición o de los diferentes tamaños de las botellas (aquí se aplican botellas normales de burdeos de 750 ml).

PT

Refrigerador de vinho

Manual de instruções

NorCare V36BK



***NOTA: Obrigado pela sua compra e por utilizar o nosso refrigerador de vinho compressor! Este produto é usado para refrigerar vinho tinto.
O nosso produto irá criar um ambiente de temperatura e humidade perfeito para armazenar a sua coleção de vinhos de forma silenciosa e tranquila.***

Conteúdo

Instruções e avisos de segurança.....	33-34
Instalação.....	35
Descrição do aparelho.....	36-39
Funcionamento.....	40-42
Resolução de problemas.....	43
Manutenção e limpeza.....	44
Parâmetros técnicos.....	45

Instruções e avisos de segurança

A sua segurança é da maior importância para a nossa empresa. Certifique-se de que lê este manual de instruções antes de tentar instalar ou utilizar o aparelho. Se não tiver a certeza acerca de alguma das informações deste manual, entre em contacto com o departamento técnico.



Proibição



Aviso



Atenção



Atenção

- Este aparelho pode ser utilizado por crianças com idade igual ou superior a 8 anos e por pessoas com capacidades físicas, sensoriais ou mentais reduzidas ou sem experiência e conhecimento desde que sob supervisão ou devidamente instruídas acerca de uma utilização segura do aparelho e tenham compreendido os perigos. As crianças não devem brincar com o aparelho. Os trabalhos de limpeza e manutenção não devem ser realizados por crianças sem supervisão.
- Crianças de 3 a 8 anos de idade podem carregar e descarregar aparelhos frigoríficos. As crianças devem ser supervisionadas para garantir que não brincam com o aparelho.
- Este aparelho destina-se APENAS A UMA UTILIZAÇÃO DOMÉSTICA e não a uma utilização comercial ou industrial.



Aviso

- Mantenha desobstruídas as aberturas de ventilação, as do invólucro do aparelho ou as incorporadas na estrutura.
- Não utilize dispositivos mecânicos ou outros meios para acelerar o processo de descongelação, para além dos recomendados pelo fabricante.

- Não danifique o circuito de refrigeração.
- Não utilize aparelhos elétricos no interior dos compartimentos de armazenamento do equipamento, salvo se forem do tipo recomendado pelo fabricante.
- Certifique-se de que o aparelho está ligado à alimentação elétrica de acordo com a etiqueta de classificação.
- Utilize uma tomada independente com proteção de terra de 10 A ou superior, não ligue um transformador ou tomada com múltiplas tomadas.
- Certifique-se de que a tomada está devidamente ligada à terra e não modifique o cabo de alimentação e a ficha.
- Ligue a ficha de alimentação com firmeza à tomada para evitar possível risco de incêndio.
- A ficha deve estar ao alcance para uma fácil desconexão após o aparelho ter sido posicionado para evitar um acidente.
- Não armazene ou queime gasolina ou outros inflamáveis perto do aparelho para evitar possível incêndio.
- Não armazene inflamáveis, explosivos, líquidos ácidos e alcalinos, etc. no compartimento do aparelho.
- Não opere outros aparelhos no compartimento.

Segurança infantil

- Não permita que as crianças brinquem dentro do aparelho para evitar aprisionamento.
- Não deixe que as crianças se pendurem na porta para brincar para evitar quedas do aparelho.
- Não permita que as crianças entrem no compartimento do compressor ou toquem nos componentes metálicos na parte de trás do aparelho para evitar possíveis ferimentos.

Manter longe da água

- Não pulverize água sobre o aparelho nem lave o aparelho vertendo ou enchendo água para evitar isolamento inválido e possível choque elétrico.

Tenha cuidado com o congelamento

- Não toque na superfície do revestimento no interior do compartimento, especialmente com a mão molhada, para evitar lesões por congelamento enquanto o aparelho estiver em funcionamento.

Não abra a porta durante longos períodos

- A abertura da porta durante longos períodos pode causar um aumento significativo da temperatura nos compartimentos do aparelho.

Modificação do aparelho não permitida

- Não reconstrua o aparelho por sua conta, pois pode causar danos ao mesmo.

Não abra a porta durante longos períodos

- A abertura da porta durante longos períodos pode causar um aumento

significativo da temperatura nos compartimentos do aparelho.

Desligue o aparelho da tomada em certas condições

- Desligue o aparelho da tomada antes da limpeza e manutenção.
- Desligue o aparelho se ocorrer um corte de energia.

Eliminação do aparelho

- Proceda de acordo com os regulamentos locais relativos à eliminação do aparelho para o refrigerante inflamável e gás insuflado.
- Antes de eliminar o aparelho, tire as portas para evitar que fiquem presas crianças.
- Envie o aparelho para o local de eliminação designado.



Proibição

Não danifique o cabo de alimentação.

- Não desligue o aparelho puxando pelo cabo de alimentação em vez de puxar a ficha.
- Não coloque o aparelho por cima do cabo de alimentação nem pise intencionalmente o cabo.
- Coloque o cabo de alimentação no local certo ao mover o aparelho.

Se o cabo de alimentação estiver danificado

- Não utilize o cabo de alimentação danificado e peça imediatamente a sua substituição por um agente de assistência técnica do fabricante ou por um electricista qualificado.
- Se necessário, prolongue o cabo de alimentação com um cabo de 0,75 mm² ou maior através de um electricista qualificado.

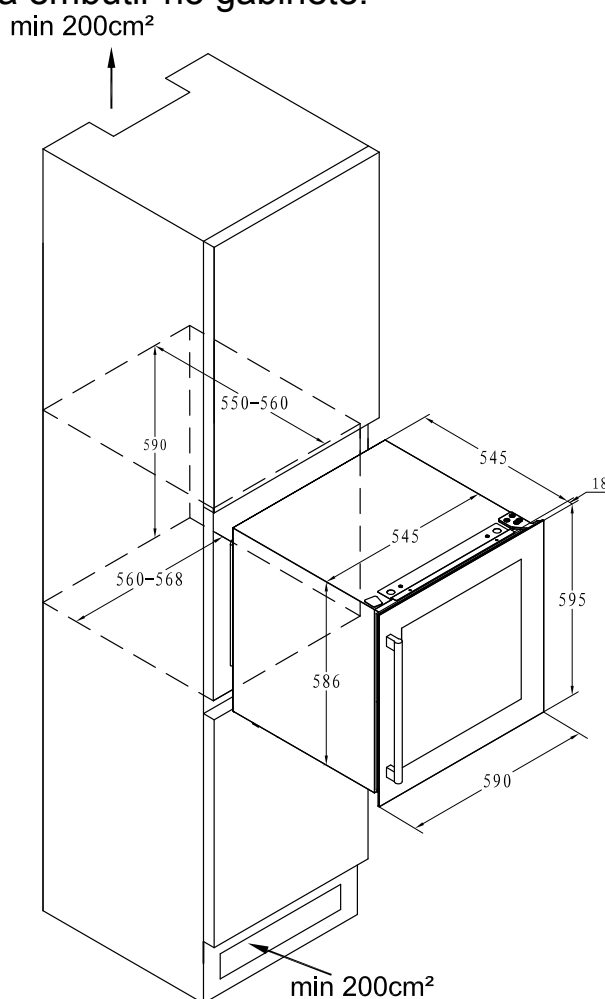
Instalação

Posição

- ⚠ Não incline o aparelho mais de 45° quando o mover para a posição.
- ⚠ O aparelho deve ser colocado em piso plano, firme e seco ou revestimento não combustível semelhante; não utilize a almofada de espuma da embalagem.
- ⚠ Não coloque o aparelho num local molhado.
- ⊘ Não utilize o aparelho num local de congelamento.
- ⊘ Não utilize o aparelho em espaços exteriores para evitar o sol ou a chuva.

O aparelho foi concebido para ser colocado debaixo da bancada ou isoladamente no chão.

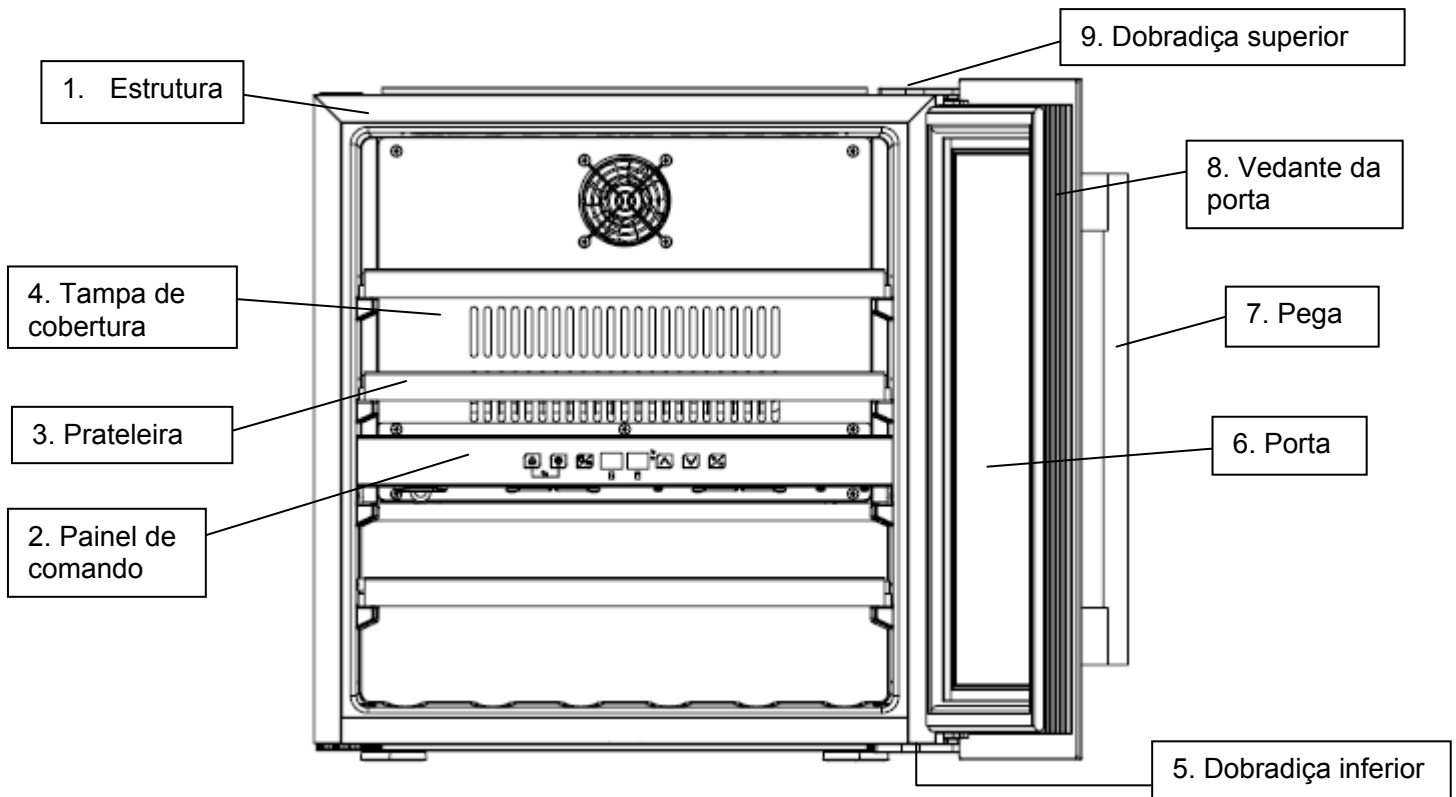
Demonstração para embutir no gabinete:



As garrafas de vinho podem ser guardadas quando sentir frio no interior depois de o aparelho funcionar durante cerca de 1 hora.

Descrição do aparelho

Acessórios e nome



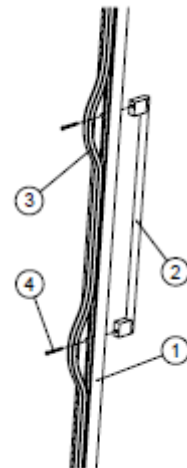
Nota: As prateleiras, a moldura da porta, a pega e outros acessórios podem ser diferentes de acordo com os diferentes modelos e configurações. Todas as fotografias neste manual são de referência. O aparelho que comprar pode não ser exatamente o mesmo que o mostrado aqui. Veja o produto real.

Instalar a pega e inverter a porta do refrigerador de vinho

1. Instale a pega na moldura da porta do aparelho.

A pega é entregue numa embalagem separada juntamente com parafusos dentro da caixa de cartão.

- ① Identifique dois pequenos orifícios na moldura da porta pelo lado interior, puxando o vedante da porta um pouco para fora.
- ② Aponte a pega para os orifícios e insira os parafusos por dentro.
- ③ Aparafuse-os com uma chave de fendas.
- ④ Volte a colocar o vedante da porta para cobrir os parafusos.



2. Trocar a porta de lado

O nosso refrigerador de vinho é entregue com a abertura da porta da esquerda para a direita. Para inverter a direção de abertura:

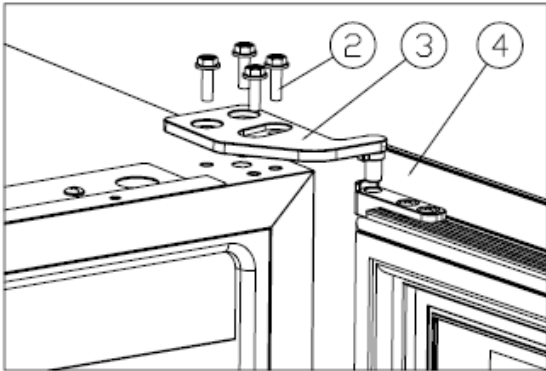


Figura 1

- ✧ Abra a porta num ângulo de 90 graus e mantenha-a estável.
- ✧ Desaparafuse os parafusos M5*16 ②, desmonte a dobradiça superior direita ③ e remova a porta. [Figura 1].

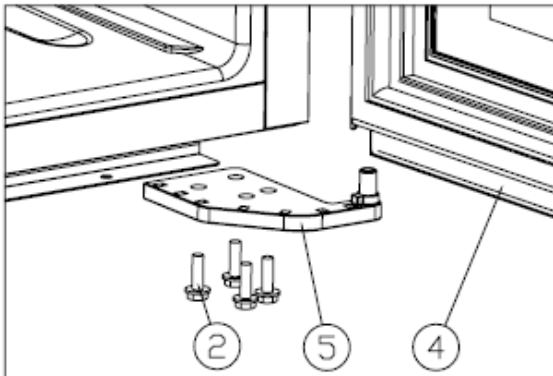


Figura 2

- ✧ Desaparafuse os parafusos M5*16 ②, desmonte a dobradiça inferior direita ⑤. [Figura 2]

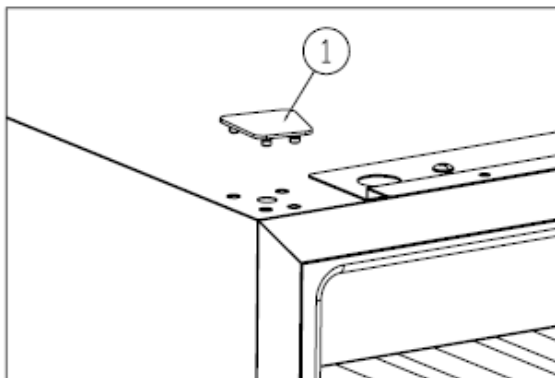


Figura 3

- ✧ Remova a tampa germinal ①. [Figura 3]

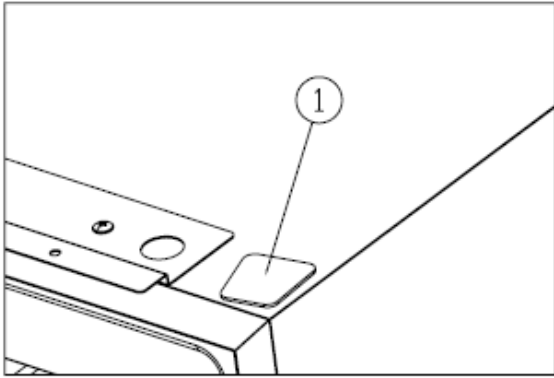


Figura 4

- ✧ Instale a tampa germinadora ①.[Figura 4]

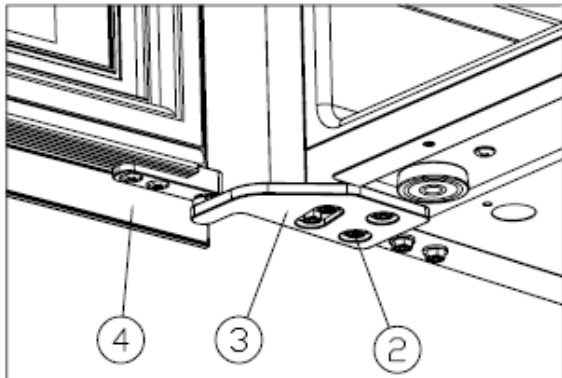


Figura 5

- ✧ Instale a dobradiça superior direita ③ e aperte os parafusos M5*16 ②. [Figura 5]

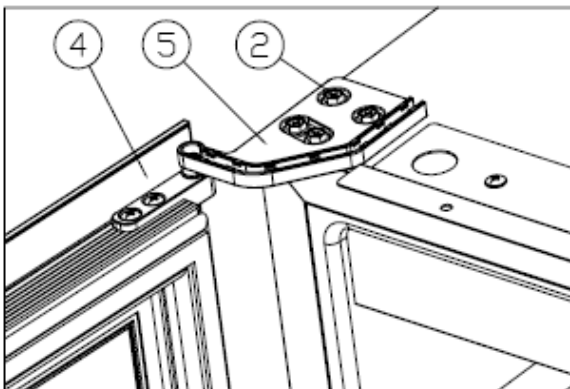
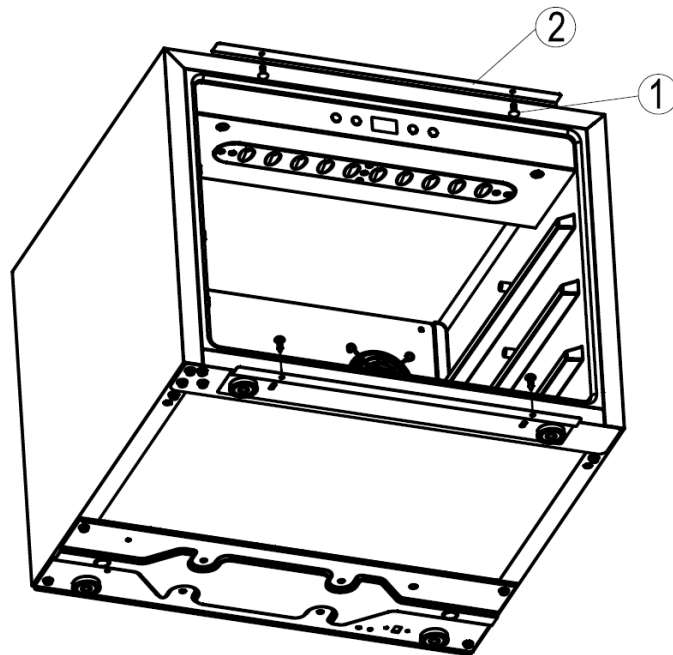


Figura 6

- ✧ Rode a porta ④ 180 graus, introduza a dobradiça inferior direita ⑤ e aparafuse os parafusos M5*16 ②. [Figura 6] A inversão da porta está terminada.

3. Instalação de suportes



O aparelho está equipado com um par de suportes na parte superior(②) e inferior. Este par de suportes pode não ser necessário e pode ser removido de acordo com a sua situação efetiva de instalação quando colocar o aparelho no armário.

Se o tamanho da abertura do seu armário for maior do que o aparelho, pode fixar 4 parafusos (①,ST4.0*13) (embalados separadamente num saco de plástico) na placa interna de madeira do armário.

Desta forma, o aparelho será embutido e fixado firmemente ao seu armário.

Nota: O vendedor não deve ser responsabilizado por quaisquer danos na porta ou outras peças durante o funcionamento se o utilizador final não seguir estas instruções para fixar o aparelho ao armário quando necessário.

Funcionamento

Iniciar o funcionamento

1. Limpeza do compartimento

Antes de ligar, limpe o interior do aparelho e verifique se o tubo de drenagem está devidamente ligado (para mais detalhes, consulte "Manutenção e limpeza").

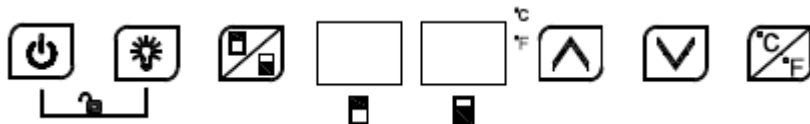
2. Imobilize o aparelho

Antes de ligar, nivele o aparelho no piso firme e seco durante, pelo menos, 30 minutos.

3. Ligue

O aparelho começa a funcionar e arrefece o interior após 1 hora; se isto não acontecer, deve verificar a ligação à corrente.

Painel de comando



Todas as teclas ficam inativas no modo de bloqueio. Desbloqueie primeiro.



LIGAR/DESLIGAR

1. Continue a premir a tecla durante 3 segundos, desliga e muda para o modo de espera.
2. Continue a premir a tecla novamente durante 3 segundos para voltar ao funcionamento normal.



Luz

Prima a tecla, liga ou desliga as luzes LED no interior. No modo de espera, a tecla fica inativa.



Interruptor de zonas

Prima a tecla para alternar entre a zona superior e a zona inferior e escolher a zona para definir a temperatura. Prima a tecla uma vez, o visor LED na zona escolhida pisca regularmente. Prima a tecla para cima e para baixo para definir a temperatura. Prima a tecla novamente; mude de zona para definir a temperatura.



PARA CIMA

Prima a tecla uma vez, o visor LED pisca de modo regular para mostrar a temperatura definida atual. Continue a premir para ajustar a temperatura definida, uma pressão aumenta 1 °C. A intermitência regular para após 5

segundos sem detetar nenhuma pressão e nova temperatura definida guardada. O visor LED volta a aparecer para mostrar a temperatura real no interior.



Para baixo

Prima a tecla uma vez, o visor LED pisca de modo regular para mostrar a temperatura definida atual. Continue a premir para ajustar a temperatura definida, uma pressão reduz 1 °C. A intermitência regular para após 5 segundos sem detetar nenhuma pressão e nova temperatura definida guardada. O visor LED volta a aparecer para mostrar a temperatura real no interior.



Bloqueio para crianças (chave de combinação)

1. Bloquear: prima as duas teclas ao mesmo tempo durante 3 segundos para bloquear.
2. Desbloquear: prima as duas teclas ao mesmo tempo durante 3 segundos para desbloquear.



Alternar apresentação de Fahrenheit/Celsius

Altere a apresentação da temperatura entre Fahrenheit e Celsius premindo a tecla durante 3 segundos.

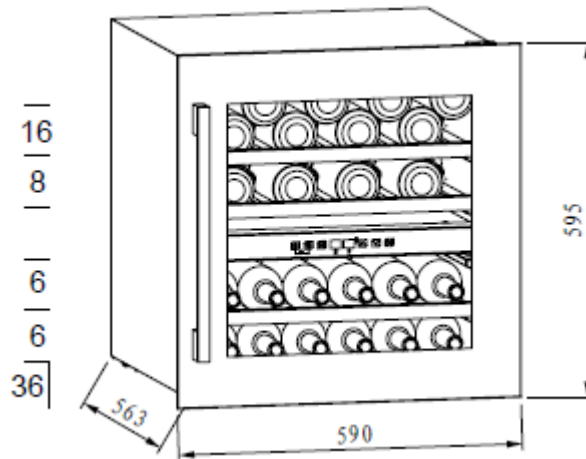


Atenção

1. A temperatura à saída da fábrica deste produto é de 12 °C, e o intervalo de temperatura correspondente precisa de ser definido de acordo com o vinho em questão.
2. Tanto para a zona superior como para a inferior, a temperatura de arrefecimento pode ser definida a partir de **5-22 °C**. E a temperatura da zona inferior só pode ser definida igual ou superior à da zona superior.
3. Som de alarme: quando ocorre uma avaria no sistema e soar o alarme, prima qualquer tecla no painel de comando para cancelar o som de alarme.
4. Código de erro:
 - Quando a falha do sensor de temperatura da zona superior ocorre, é exibido o código de erro: E1 para circuito aberto; E2 para curto-circuito.
 - Quando a falha do sensor de descongelamento ocorre, é exibido o código de erro: E3 para circuito aberto; E4 para curto-circuito.
 - Quando a falha do sensor de temperatura da zona inferior ocorre, é exibido o código de erro: E5 para circuito aberto; E6 para curto-circuito.

Armazenamento de vinho

- ❖ O aparelho está equipado com prateleira independente suficiente para permitir que a sua coleção de vinho amadureça de forma silenciosa e tranquila
- ❖ Capacidade de carga de três prateleiras de madeira: **36** garrafas (Bordeaux padrão com 750 ml)



- ❖ A capacidade de carga varia em função das diferentes formas de disposição das garrafas ou diferentes tamanhos das garrafas.
- ❖ Cada prateleira foi concebida para colocar 1 ou 2 camadas de garrafas de vinho. Não são recomendadas mais de 2 camadas de garrafas numa prateleira.
- ❖ Cada prateleira pode ser retirada parcialmente para guardar facilmente as garrafas de vinho.
- ❖ Abra bem a porta antes de puxar as prateleiras.
- ❖ Deve evitar o máximo possível colocar a prateleira à frente do ventilador para evitar bloquear a entrada de ar e afetar a eficiência de refrigeração.
- ❖ Se o refrigerador de vinho não tiver carga durante muito tempo, é recomendável desligá-lo, limpá-lo bem e abrir a porta para ventilar.
- ❖ A tabela abaixo mostra a temperatura recomendada para armazenar e beber vinho:

Vinho tinto	15-18 °C
Vinho branco	9-14 °C
Vinho rosé	10-11 °C
Champanhe e espumante	5- 8 °C

Resolução de problemas

O aparelho faz muito barulho?	<ul style="list-style-type: none">● Ajuste o pé frontal, mantenha o aparelho nivelado.● Mantenha o aparelho com alguma distância das paredes.
Som de líquido a circular dentro do armário?	<ul style="list-style-type: none">● É normal devido ao refrigerante que funciona no interior.
O aparelho não arranca?	<ul style="list-style-type: none">● Certifique-se de que o aparelho está devidamente ligado à corrente.● Certifique-se de ligar a corrente.● O compressor é reiniciado após 5 minutos em caso de corte de energia.
O compressor funciona continuamente?	<ul style="list-style-type: none">● Se não estiver a ser produzido nenhum arrefecimento, ligue para o serviço pós-venda.
A porta não veda bem?	<ul style="list-style-type: none">● Após muito tempo de utilização, o vedante da porta pode ficar rígido e parcialmente distorcido.<ol style="list-style-type: none">1. Aqueça o vedante da porta com um secador de ar quente ou uma toalha quente.2. O vedante da porta é amolecido e fecha a porta.
O aparelho não arrefece o suficiente?	<ul style="list-style-type: none">● Ajuste a definição de temperatura.● Mantenha o aparelho afastado da luz solar ou do calor.● Não abra a porta com frequência.
Cheiros desagradáveis dentro do armário?	<ul style="list-style-type: none">● Um pouco de cheiro a plástico em aparelhos recém-comprados é normal e desaparecerá após um curto período de tempo.● Limpe o compartimento e ventile-o durante algumas horas.
Condensação na porta de vidro?	<ul style="list-style-type: none">● Não abra a porta frequentemente ou durante muito tempo.● Não defina a temperatura muito baixa.● Uma alta temperatura ambiente e humidade causam condensação.
A luz não funciona?	<ul style="list-style-type: none">● Primeiro, verifique a fonte de alimentação.● Ligue para o serviço pós-venda do revendedor se a luz estiver avariada.

Manutenção e limpeza

Limpeza

- Desligue o aparelho antes de o limpar.
- Limpe o aparelho com um pano macio ou uma esponja com água.
- Não utilize solventes orgânicos, detergente alcalino, água a ferver, detergente em pó ou líquido ácido, etc.
- Não lave o compartimento do aparelho com jatos de água.
- Limpe regularmente as superfícies que possam entrar em contacto com sistemas de drenagem acessíveis.

Os itens abaixo irão danificar a superfície do refrigerador de vinho:



Corte de energia

A maioria dos cortes de energia pode ser resolvida em pouco tempo. Para proteger os seus vinhos durante um corte de energia, evite abrir a porta o mais possível. Durante cortes de energia muito longos, tome as medidas necessárias para proteger o seu vinho.

Fora de serviço durante muito tempo

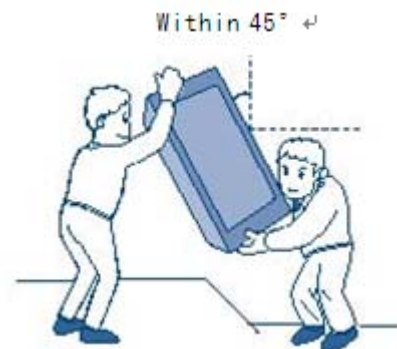
Retire todas as garrafas do aparelho, desligue, descongele, limpe, seque e deixe a porta aberta para evitar o surgimento de bolor no interior do aparelho.



Se o aparelho for desligado ou se houver um corte de energia, deve esperar pelo menos cinco minutos antes de reiniciar.

Mover o aparelho

- Corte a alimentação e desligue o aparelho da tomada.
- Retire todas as garrafas do aparelho.
- Ao mover o aparelho, não o incline mais de 45°.



Parâmetros técnicos

Modelo do produto	NorCare V36BK
Voltagem/frequência	220-240 V~/50 Hz
Refrigerante/peso	R600a /25 g
Volume efetivo	85 L
Capacidade de carga	36 garrafas
Peso líquido	33,2kg
Dimensões da unidade (LxPxA)	590×563×595mm
Dimensões da embalagem (LxPxA)	650×650×655mm

Observações:

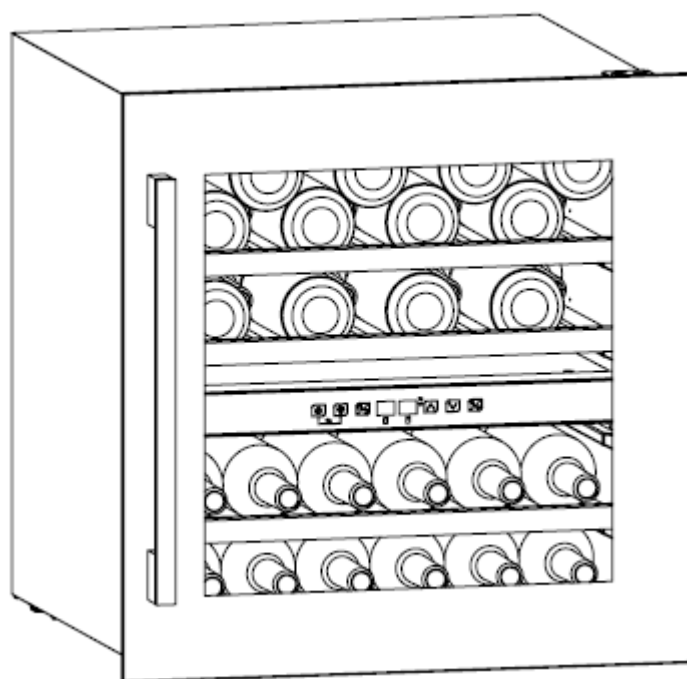
1. O peso líquido inclui prateleiras e as dimensões da unidade são sem a pega na porta.
2. O fabricante reserva-se todos os direitos de alterar os parâmetros acima sem aviso prévio. Consulte a placa de identificação do seu aparelho.
3. A capacidade de carga varia em função das diferentes formas de disposição das garrafas ou diferentes tamanhos das garrafas (aplicável Bordeaux padrão com 750 ml).

FR

Cave à vin

Manuel d' instructions

NorCare V36BK



REMARQUE : *Nous vous remercions d'avoir acheté et choisi d'utiliser notre cave à vin, qui est destinée à refroidir le vin rouge. Elle se chargera de créer un environnement parfait en termes de température et d'humidité pour vous permettre de conserver sereinement vos bouteilles de vin.*

Contenu

Consignes et avertissements de sécurité.....	48-49
Installation.....	50
Description de l' appareil.....	51-54
Fonctionnement.....	55-57
Dépannage.....	58
Entretien et nettoyage.....	59
Paramètres techniques.....	60

Consignes et avertissements de sécurité

Nous accordons la plus grande importance à votre sécurité. Avant d'installer ou d'utiliser l'appareil, nous vous invitons à lire le présent mode d'emploi. Si vous avez le moindre doute concernant les informations contenues dans ce mode d'emploi, nous vous invitons à contacter le Service technique.



Interdiction



Avertissement



Mise en garde



Mise en garde

- Cet appareil peut être utilisé par des enfants à partir de 8 ans et des personnes aux capacités physiques, sensorielles ou mentales réduites, ou manquant d'expérience et de connaissances, uniquement sous surveillance ou après avoir reçu des instructions concernant l'utilisation de l'appareil en toute sécurité et avoir compris les dangers encourus. Les enfants ne doivent pas jouer avec l'appareil. Le nettoyage et l'entretien ne doivent pas être effectués par des enfants sans surveillance.
- Les enfants âgés de 3 à 8 ans sont autorisés à remplir et vider des appareils de réfrigération. Les enfants doivent être surveillés pour s'assurer qu'ils ne jouent pas avec l'appareil.
- Cet appareil est destiné **UNIQUEMENT À UN USAGE DOMESTIQUE** et non à un usage commercial ou industriel.



Avertissement

- N'obstruez pas les bouches d'aération dans l'enveloppe de l'appareil ou dans la structure intégrée.
- N'utilisez pas de dispositifs mécaniques ou d'autres moyens pour accélérer le processus de dégivrage, autres que ceux recommandés par le fabricant.
- N'endommagez pas le circuit de refroidissement.

- N'utilisez pas d'appareils électriques dans les compartiments d'entreposage de l'appareil, sauf s'ils sont du type recommandé par le fabricant.
- Assurez-vous que l'appareil est branché sur une alimentation électrique conforme à la plaque signalétique.
- Utilisez une prise indépendante avec mise à la terre de 10 A ou plus, ne vous connectez pas à un transformateur ou à une multiprise.
- Assurez-vous que la prise de courant est correctement mise à la terre et n'altérez ni le cordon d'alimentation ni la fiche.
- Branchez fermement la fiche d'alimentation dans la prise de courant pour éviter tout risque d'incendie.
- La fiche doit être accessible pour pouvoir la débrancher facilement après avoir positionné l'appareil en cas d'incident.
- Ne stockez pas ou ne brûlez pas d'essence ou toute autre substance inflammable à proximité de l'appareil pour éviter tout risque d'incendie.
- Ne stockez pas de substances inflammables, d'explosifs, de liquides acides et alcalins, etc. dans le compartiment de l'appareil.
- Ne faites pas fonctionner d'autres appareils dans le compartiment.

Sécurité des enfants

- Ne laissez pas les enfants jouer à l'intérieur de l'appareil, car ils pourraient rester coincés à l'intérieur.

Ne laissez pas les enfants se suspendre à la porte de l'appareil pour éviter toute chute.

- Ne laissez pas les enfants atteindre le compartiment du compresseur ou toucher les composants métalliques à l'arrière de l'appareil pour éviter toute blessure éventuelle.

Évitez que l'appareil entre en contact avec de l'eau

- Ne vaporisez pas d'eau sur l'appareil et ne le nettoyez pas en versant ou en remplissant de l'eau à l'intérieur, afin d'éviter de détériorer l'isolation et d'éventuels chocs électriques.

Mise en garde contre les parties congelées

- Ne touchez pas la surface du revêtement à l'intérieur du compartiment, en particulier avec les mains mouillées, pour éviter toute blessure due au gel pendant le fonctionnement de l'appareil.

Ne laissez pas la porte ouverte trop longtemps

- Si la porte est ouverte pendant longtemps, la température des compartiments de l'appareil peut augmenter de manière significative.

Toute modification sur l'appareil est interdite

- Ne réparez pas vous-même l'appareil, au risque de l'endommager.

Ne laissez pas la porte ouverte trop longtemps

- Si la porte est ouverte pendant longtemps, la température des compartiments de l'appareil peut augmenter de manière significative.

Débranchez l'appareil sous certaines conditions

- Débranchez l'appareil avant de le nettoyer et de procéder à l'entretien.
- Débranchez l'appareil en cas de coupure de courant.

Mise au rebut de l'appareil

- Respectez les réglementations locales concernant la mise au rebut de l'appareil pour son réfrigérant inflammable et le gaz qu'il dégage.
- Avant de mettre l'appareil au rebut, veuillez retirer les portes pour éviter que les enfants ne se retrouvent coincés à l'intérieur.
- Déposez l'appareil au point de collecte prévu à cet effet.



Interdiction

N'endommagez pas le cordon d'alimentation

- Ne débranchez pas l'appareil en tirant sur le cordon d'alimentation, mais plutôt sur la prise.
- Ne placez pas l'appareil au-dessus du cordon d'alimentation et ne marchez pas sur le cordon intentionnellement.
- Placez le cordon d'alimentation correctement lorsque vous déplacez l'appareil.

Lorsque le cordon d'alimentation est endommagé

- Ne vous servez pas d'un cordon d'alimentation endommagé ou faites-le remplacer immédiatement par un agent de service du fabricant ou par un électricien qualifié.
- Si nécessaire, faites prolonger le cordon d'alimentation par un cordon de 0,75 mm² ou plus par un électricien qualifié.

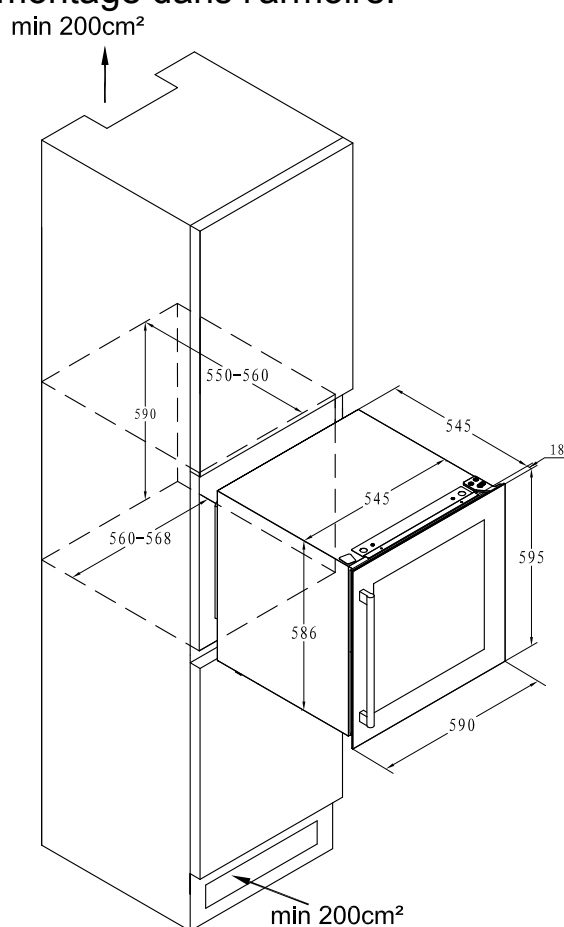
Installation

Positionnement

- ⚠ Évitez d'incliner l'appareil à plus de 45° lorsque vous le mettez en place.
- ⓘ L'appareil doit être posé sur une surface plane, ferme et sèche ou sur un support du même type non combustible ; n'utilisez pas le support en mousse inclut dans l'emballage.
- ⓘ Ne placez pas l'appareil dans un lieu humide.
- ⊘ Ne placez pas l'appareil dans des endroits pouvant geler.
- ⊘ N'utilisez pas l'appareil à l'extérieur pour éviter tout contact direct avec le soleil ou la pluie.

L'appareil est conçu pour être installé sous le plan de travail ou seul sur le sol.

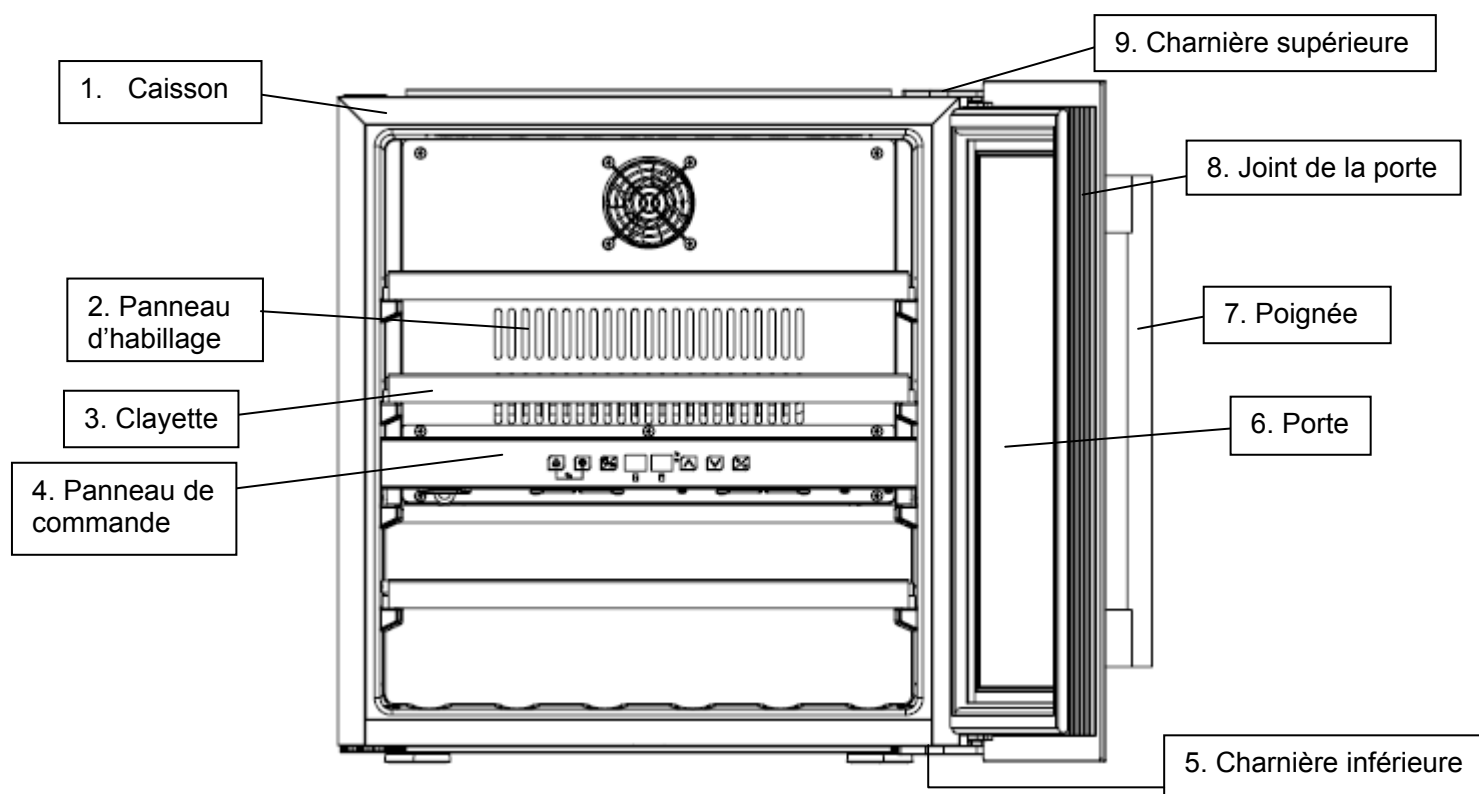
Démonstration de montage dans l'armoire:



Les bouteilles de vin peuvent être stockées à l'intérieur après avoir laissé passer un laps de temps d'environ une heure pour que l'appareil commence à se refroidir.

Description de l' appareil

Nom de l'accessoire



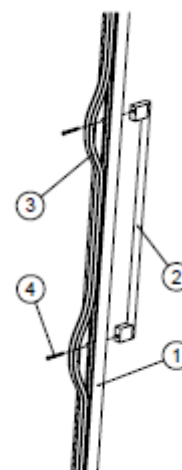
Remarque : Les clayettes, le cadre de porte, la poignée et les autres accessoires peuvent être différents selon les modèles et la configuration. Les photos de ce manuel sont données à titre de référence. L'appareil vendu peut ne pas être identique à celui présenté ici. Veuillez vous référer au produit actuel.

Installation de la poignée et inversion de la porte de la cave à vin

1. Installez la poignée sur le cadre de la porte de l'appareil.

La poignée est livrée dans un emballage séparé avec des vis à l'intérieur de l'emballage.

- ① Faites apparaître deux petits trous sur le cadre de la porte en tirant légèrement sur le joint de la porte.
- ② Dirigez la poignée vers les trous et insérez les vis de l'intérieur.
- ③ Serrez-les à l'aide d'un tournevis.
- ④ ④ Remettez le joint de porte en place pour recouvrir les vis.



2. Inverser la porte

Notre cave à vin est livrée avec la porte s'ouvrant de la gauche vers la droite.
Pour inverser le sens d'ouverture :

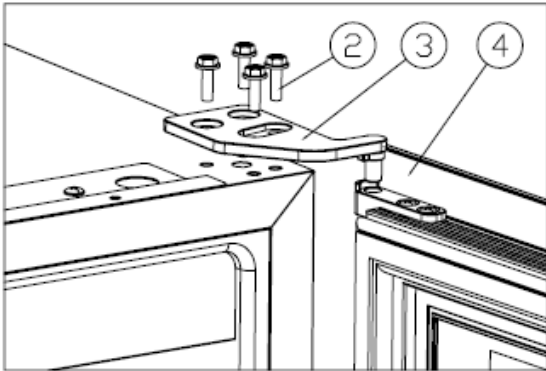


Figure 1

- ✧ Ouvrez la porte à 90 degrés et assurez-vous qu'elle reste bien stable.
- ✧ Dévissez les vis M5*16 ②, démontez la charnière supérieure droite ③, et retirez la porte. [Figure 1].

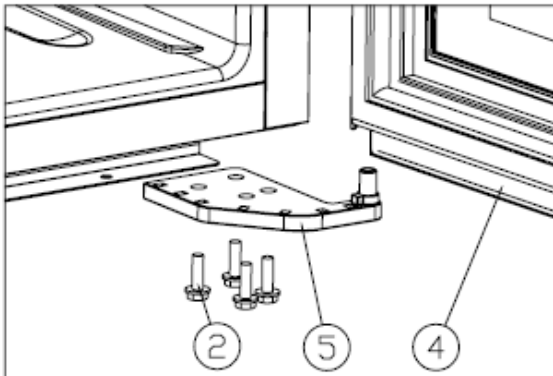


Figure 2

- ✧ Dévissez les vis M5*16, démontez la charnière supérieure droite ⑤. [Figure 2]

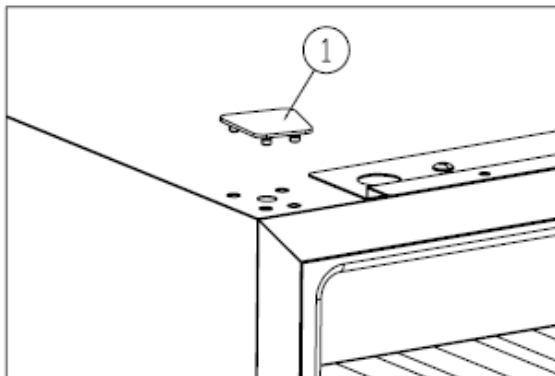


Figure 3

- ✧ Retirez le cache ①. [Figure 3]

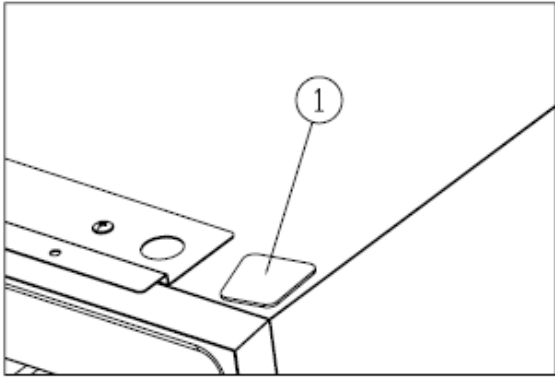


Figure 4

- ✧ Installez le cache ①. [Figure 4]

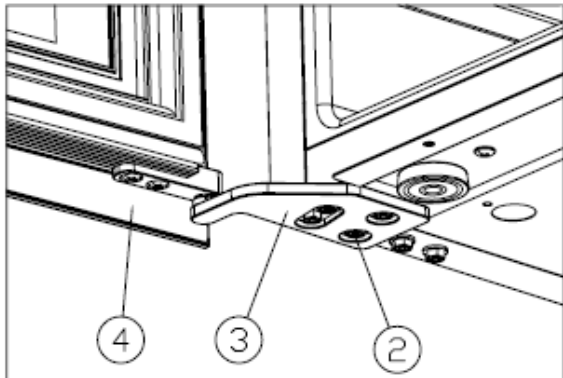


Figure 5

- ✧ Installez la charnière supérieure droite ③, et serrez les vis M5*16②[Figure 5]

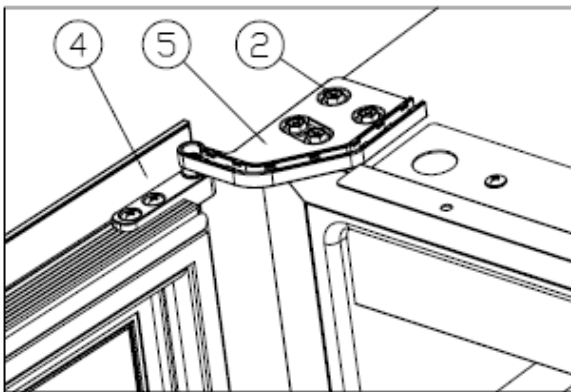
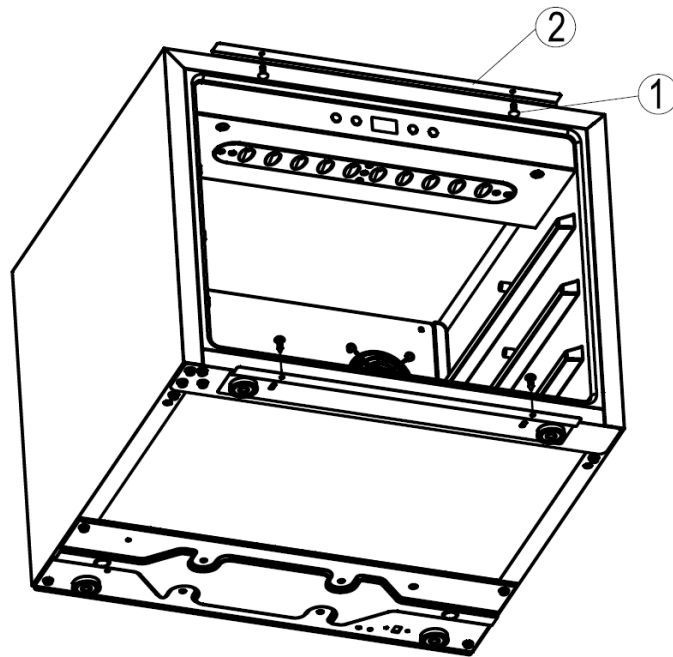


Figure 6

- ✧ Tournez la porte ④ de 180 degrés, et insérez la charnière inférieure droite⑤, serrez fermement les vis M5*16. [Figure 6]. L'inversion de la porte est terminée.

3. Installation du support



L'appareil est équipé de deux supports en haut (②) et en bas.

Il est possible que ces supports ne soient pas nécessaires et qu'ils puissent être retirés en fonction de votre installation réelle lorsque vous installez l'appareil dans votre meuble.

Si l'ouverture de votre meuble est plus large que celle de l'appareil, vous pouvez fixer 4 vis (①, ST4.0*13) (emballées séparément dans un sachet en plastique) dans la plaque en bois intérieure du meuble.

De cette manière, l'appareil sera intégré et fermement fixé à votre meuble.

Remarque : Le vendeur ne sera pas tenu pour responsable de tout dommage causé à la porte ou à d'autres pièces pendant le fonctionnement si l'utilisateur final ne respecte pas les instructions de fixation de l'appareil au meuble.

Fonctionnement

Mise en service

1. Nettoyage du compartiment

Avant de mettre l'appareil sous tension, nettoyez son intérieur et vérifiez que le tuyau d'évacuation est bien raccordé. (Pour plus de détails, veuillez consulter la section « Entretien et nettoyage »)

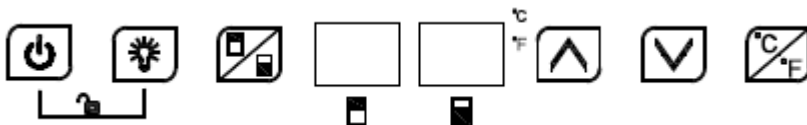
2. Stabilisation de l'appareil

Avant de mettre l'appareil sous tension, assurez-vous qu'il soit posé sur une surface ferme et sèche pendant au moins 30 minutes.

3. Mise sous tension

L'appareil se met en marche et se refroidit au bout d'une heure, faute de quoi vous devez vérifier le raccordement électrique.

Panneau de commande



En mode verrouillage, les touches sont désactivées. N'oubliez pas de les déverrouiller.



MARCHE/ARRÊT

1. Appuyez sur la touche pendant 3 secondes, l'appareil se met hors tension et passe en mode veille.
2. Appuyez à nouveau sur la touche pendant 3 secondes pour revenir au mode de fonctionnement normal.



Lumière

Appuyez sur la touche pour allumer ou éteindre l'éclairage LED à l'intérieur. En mode veille, cette touche ne fonctionne pas.



Interrupteur de zone

Appuyez sur cette touche pour passer de la zone supérieure à la zone inférieure afin de choisir la zone de réglage de la température. Appuyez une fois sur la touche et l'affichage LED de la zone choisie clignote à intervalles réguliers. Appuyez sur les touches haut et bas pour régler la température. Appuyez à nouveau sur la touche pour changer de zone et régler la température.

HAUT

Appuyez une fois sur la touche, l'affichage LED clignote à intervalles réguliers et indique la température actuelle programmée. Continuez à appuyer pour régler la température par intervalle de 1 °C. Le clignotement à intervalles réguliers s'arrête au bout de 5 secondes, après n'avoir détecté aucune nouvelle action, ce qui enregistrera la nouvelle température programmée. L'affichage LED indique à nouveau la température réelle à l'intérieur.

BAS

Appuyez une fois sur la touche, l'affichage LED clignote à intervalles réguliers et indique la température actuelle programmée. Continuez à appuyer pour régler la température par intervalle de 1 °C. Le clignotement à intervalles réguliers s'arrête au bout de 5 secondes, après n'avoir détecté aucune nouvelle action, ce qui enregistrera la nouvelle température programmée. L'affichage LED indique à nouveau la température réelle à l'intérieur.



Verrou de sécurité enfants (combinaison de touches)

1. Verrouiller : Appuyez sur les deux touches en même temps pendant 3 secondes pour verrouiller.
2. Déverrouiller : Appuyez sur les deux touches en même temps pendant 3 secondes pour déverrouiller.



Fahrenheit/Celsius

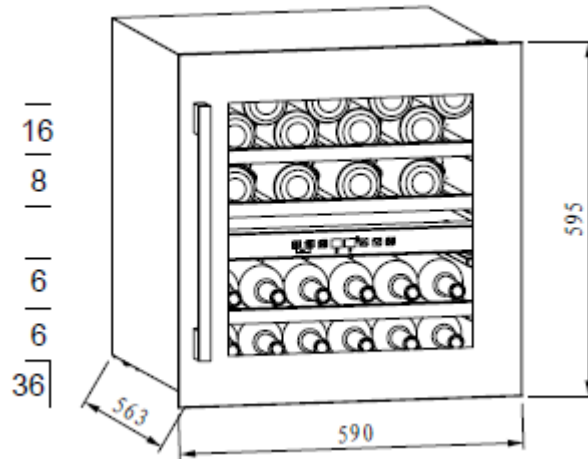
Basculez l'affichage de la température entre Fahrenheit et Celsius en appuyant sur la touche pendant 3 secondes.

Attention

1. La température d'usine de ce produit est 12°C. Vous devez régler la température en fonction des bouteilles de vin que vous stockez.
2. Pour les zones supérieure et inférieure, la température de refroidissement peut être réglée entre **5 et 22°C**. La température de la zone inférieure ne peut être réglée que sur une valeur égale ou supérieure à celle de la zone supérieure.
3. Alarme sonore : en cas de dysfonctionnement du système et de déclenchement de l'alarme, appuyez sur n'importe quelle touche du panneau de commande pour l'arrêter.
4. Code d'erreur :
Lorsque la sonde de température de la zone supérieure tombe en panne, un code d'erreur s'affiche : E1 pour un circuit ouvert ou E2 pour un court-circuit.
Lorsque la sonde de dégivrage tombe en panne, un code d'erreur s'affiche : E3 pour un circuit ouvert ou E4 pour un court-circuit.
Lorsque la sonde de température de la zone inférieure tombe en panne, un code d'erreur s'affiche : E5 pour un circuit ouvert ou E6 pour un court-circuit.

Stockage du vin

- ✧ L'appareil est équipé d'une clayette indépendante suffisante pour permettre à votre collection de vin de mûrir en toute tranquillité
- ✧ Capacité de charge de trois étagères en bois : **36** bouteilles. (Vin rouge de type Bordeaux standard dont la contenance est de 750 ml)



- ✧ La capacité de charge varie en fonction de la disposition des bouteilles ou de leur taille.
- ✧ Chaque clayette est conçue pour contenir une ou deux rangées de bouteilles de vin. Il n'est pas recommandé de disposer plus de deux rangées de bouteilles sur une clayette.
- ✧ Chaque clayette peut se retirer partiellement pour permettre de ranger facilement les bouteilles de vin.
- ✧ Ouvrez la porte au maximum avant de retirer les clayettes.
- ✧ La clayette ne doit pas être placée devant le ventilateur pour éviter de bloquer l'entrée d'air et d'affecter l'efficacité du système de refroidissement.
- ✧ Si la cave à vin reste trop longtemps vide, il est recommandé de l'éteindre, de la nettoyer soigneusement et d'ouvrir la porte pour la ventilation.
- ✧ Le tableau ci-dessous indique la température recommandée pour conserver et déguster le vin :

Vin rouge	15-18°C
Vin blanc	9-14°C
Rosé	10-11°C
Champagne et vin mousseux	5- 8°C

Dépannage

L'appareil fait beaucoup de bruit ?	<ul style="list-style-type: none"> ● Veuillez régler le pied avant, en maintenant l'appareil à niveau. ● Veuillez laisser un peu d'espace entre l'appareil et les murs.
Un bruit de liquide s'écoule à l'intérieur de l'appareil ?	<ul style="list-style-type: none"> ● C'est tout à fait, car le réfrigérant fonctionne à l'intérieur.
L'appareil ne démarre pas ?	<ul style="list-style-type: none"> ● Vérifiez que l'appareil est correctement branché. ● Assurez-vous que le courant électrique fonctionne. ● Le compresseur redémarre au bout de 5 minutes suite à une coupure de courant.
Le compresseur fonctionne en continu ?	<ul style="list-style-type: none"> ● Si la température ne baisse pas, veuillez appeler le service après-vente.
La porte n'est pas étanche ?	<ul style="list-style-type: none"> ● Après une utilisation prolongée, le joint de porte peut raidir et se déformer partiellement. <ol style="list-style-type: none"> 1. Chauffez le joint de porte avec un souffleur à vent chaud ou une serviette chaude. 2. Le joint de porte se ramollit et ferme la porte.
L'appareil ne refroidit pas suffisamment ?	<ul style="list-style-type: none"> ● Veuillez ajuster le réglage de la température. ● Tenez l'appareil à l'abri de la lumière du soleil ou de la chaleur. ● Veuillez ne pas ouvrir la porte trop souvent.
Odeurs désagréables à l'intérieur du meuble ?	<ul style="list-style-type: none"> ● Une petite odeur de plastique pour un appareil récemment acheté est normale et disparaîtra après peu de temps. ● Nettoyez le compartiment et ventilez-le pendant quelques heures.
De la condensation sur la porte vitrée ?	<ul style="list-style-type: none"> ● Évitez d'ouvrir la porte trop souvent ou trop longtemps. ● Ne réglez pas la température sur une valeur trop basse. ● Une température ambiante et une humidité élevées provoqueraient de la condensation.
La lumière ne fonctionne pas ?	<ul style="list-style-type: none"> ● Vérifiez d'abord l'alimentation électrique. ● Appelez le service après-vente du détaillant si la lampe est cassée.

Entretien et nettoyage

Nettoyage

- Débranchez l'appareil avant de le nettoyer.
- Nettoyez l'appareil avec un chiffon doux ou une éponge humide.
- N'utilisez pas de solvants organiques, de détergent alcalin, d'eau brûlante, de lessive en poudre ou de liquide acide, etc.
- Ne rincez pas le compartiment de l'appareil.
- Nettoyez régulièrement les surfaces qui peuvent entrer en contact avec les systèmes d'évacuation accessibles.

Les éléments ci-dessous endommageront la surface de la cave à vin :



Coupure d'électricité

La plupart des coupures d'électricité ont pu être résolues dans un court laps de temps. Pour protéger vos vins lors d'une coupure de courant, évitez d'ouvrir la porte autant que possible. Lors de très longues coupures de courant, prenez les mesures nécessaires pour protéger votre vin.

Absence de fonctionnement pendant une longue période

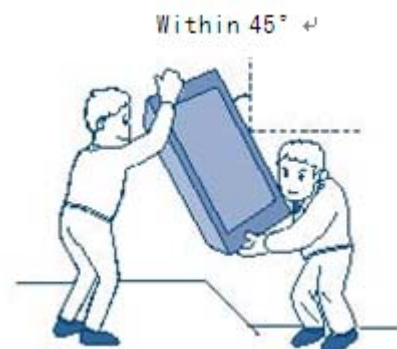
Retirez toutes les bouteilles de l'appareil, éteignez, décongelez, nettoyez, séchez et laissez la porte ouverte pour éviter la formation de moisissures dans l'appareil.



Si l'appareil est débranché ou s'il y a une coupure de courant, vous devez attendre au moins cinq minutes avant de le redémarrer.

Changement de place de l'appareil

- Coupez l'alimentation électrique et débranchez l'appareil.
- Retirez toutes les bouteilles de l'appareil.
- Lorsque vous déplacez l'appareil, ne l'inclinez pas à plus de 45°.



Paramètres techniques

Modèle de produit	NorCare V36BK
Tension/fréquence	220-240 V~/50 Hz
Réfrigérant/poids	R600a/25 g
Volume effectif	85 L
Capacité de charge	36 bouteilles
Poids net	33,2 kg
Dimension de l'unité (LxLxH)	590×563×595mm
Dimensions de l'emballage (LxLxH)	650×650×655mm

Remarques :

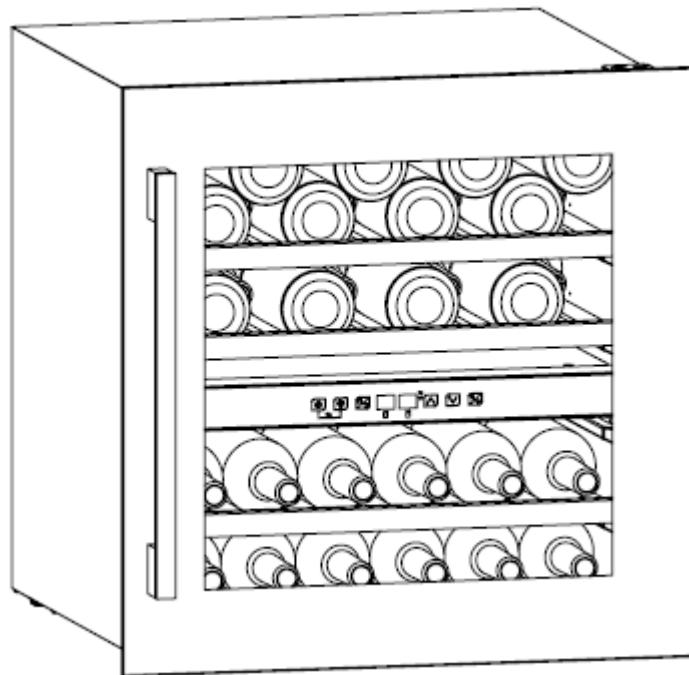
1. Le poids net comprend les clayettes et la dimension de l'unité s'entend sans poignée sur la porte.
2. Le fabricant se réserve le droit de modifier les paramètres ci-dessus sans préavis. Veuillez vous référer à la plaque signalétique de votre appareil.
3. La capacité de charge varie en fonction de la disposition des bouteilles ou de leur taille (norme appliquée dans ce manuel : vin rouge de type Bordeaux standard dont la contenance est de 750 ml).

DE

Weinkühlgerät

Bedienungsanleitung

NorCare V36BK



HINWEIS: Vielen Dank für den Kauf und die Verwendung unseres Kompressor-Weinkühlers! Dieses Gerät dient der Kühlung von Rotwein.

Unser Gerät schafft die perfekte Temperatur- und Feuchtigkeitsumgebung, um Ihre Weinsammlung in Ruhe zu lagern.

Inhalt

Sicherheitshinweise und Warnungen.....	63–64
Montage.....	65
Beschreibung des Geräts.....	66–69
Betrieb.....	70–72
Fehlerbehebung.....	73
Wartung und Reinigung.....	74
Technische Daten.....	75

Sicherheitshinweise und Warnungen

Ihre Sicherheit ist für unser Unternehmen von größter Bedeutung. Bitte lesen Sie unbedingt diese Bedienungsanleitung, bevor Sie das Gerät installieren oder benutzen. Wenn Sie sich bei einer der in dieser Broschüre enthaltenen Informationen unsicher sind, wenden Sie sich bitte an unseren Technischen Service.



Verboten



Warnung



Vorsicht



Vorsicht

- Dieses Gerät darf von Kindern ab 8 Jahren und Personen mit eingeschränkten körperlichen, sensorischen oder geistigen Fähigkeiten oder mangelnder Erfahrung und Kenntnissen benutzt werden, wenn sie unter Aufsicht stehen oder in den sicheren Umgang mit dem Gerät eingewiesen wurden und die damit verbundenen Gefahren verstehen. Kinder dürfen nicht mit dem Gerät spielen. Kinder dürfen das Gerät nicht ohne Aufsicht reinigen und warten.
- Kinder im Alter von 3 bis 8 Jahren dürfen Kühlgeräte ein- und ausräumen. Kinder sollten beaufsichtigt werden, um sicherzustellen, dass sie nicht mit dem Gerät spielen.
- Dieses Gerät ist NUR für den HAUSHALTSGEBRAUCH gedacht, jedoch nicht für den kommerziellen oder industriellen Gebrauch.



Warnung

- Halten Sie die Lüftungsöffnungen im Gerätegehäuse oder in der Einbaustruktur frei von Hindernissen.
- Verwenden Sie keine nicht vom Hersteller empfohlenen mechanischen Vorrichtungen oder andere Mittel, um den Auftauprozess zu beschleunigen.

- Beschädigen Sie nicht den Kältemittelkreislauf.
- Verwenden Sie keine Elektrogeräte in den Staufächern des Geräts, es sei denn, sie wurden vom Hersteller empfohlen.
- Stellen Sie sicher, dass das Gerät gemäß dem Typenschild an die Stromversorgung angeschlossen ist.
- Verwenden Sie eine unabhängige geerdete Steckdose mit 10 A Nennstrom oder höher und schließen Sie das Gerät nicht an einen Transformator oder eine Mehrfachsteckdose an.
- Vergewissern Sie sich, dass die Steckdose ordnungsgemäß geerdet ist, und verändern Sie Netzkabel und Stecker nicht.
- Achten Sie auf einen sicheren Kontakt des Netzstecker in der Steckdose, um Brandgefahr wegen eines Wackelkontakts zu vermeiden.
- Der Stecker sollte stets in Reichweite sein, um bei Unfällen nach dem Aufstellen des Geräts leicht getrennt werden zu können.
- Lagern oder verbrennen Sie kein Benzin oder andere entzündliche Stoffe in der Nähe des Geräts – Brandgefahr!
- Lagern Sie keine entzündlichen, explosiven, sauren oder basischen Flüssigkeiten usw. im Gerätefach.
- Betreiben Sie keine anderen Geräte im Inneren des Gerätes.

Sicherheit von Kindern

- Lassen Sie Kinder nicht im Inneren des Geräts spielen – Einschlussgefahr!
- Lassen Sie nicht zu, dass sich ein Kind an die Tür hängt – Sturzgefahr!
- Lassen Sie Kinder nicht in den Kompressorraum greifen und berühren Sie keine Metallkomponenten auf der Rückseite des Geräts – Verletzungs- und Verbrennungsgefahr!

Von Wasser fernhalten

- Sprühen Sie kein Wasser auf das Gerät und waschen Sie es nicht durch Ausgießen oder Einfüllen von Wasser. Dies könnte zu einem elektrischen Schlag führen, wenn die Isolierung nicht mehr einwandfrei ist.

Achtung vor Erfrierungen

- Berühren Sie nicht die Oberfläche der Verkleidung im Inneren des Geräts, insbesondere nicht mit nassen Händen, da während des Betriebs des Geräts Erfrierungen auftreten können.

Öffnen Sie die Tür nicht für längere Zeit

- Ein längeres Öffnen der Tür kann zu einem erheblichen Anstieg der Temperatur in den Fächern des Geräts führen.

Verändern des Geräts verboten

- Bauen Sie das Gerät nicht selbst um, da dies zu Schäden am Gerät führen könnte.

Öffnen Sie die Tür nicht für längere Zeit

- Ein längeres Öffnen der Tür kann zu einem erheblichen Anstieg der Temperatur in den Fächern des Gerätes führen.

Trennen Sie das Gerät unter bestimmten Bedingungen vom Netz

- Ziehen Sie vor Reinigung und Wartung den Netzstecker.
- Stecken Sie das Gerät aus, wenn der Strom ausfällt.

Entsorgung des Geräts

- Bitte beachten Sie die örtlichen Vorschriften zur Entsorgung des Geräts wegen seines brennbaren Kältemittels und des Treibgases.
- Bevor Sie das Gerät verschrotten, nehmen Sie bitte die Türen ab, um zu verhindern, dass Kinder eingeschlossen werden.
- Geben Sie das Gerät an einer autorisierten Entsorgungsstelle ab.



Verboten

Beschädigen Sie nicht das Netzkabel






- Trennen Sie das Gerät nicht durch Ziehen am Netzkabel vom Netz, ziehen Sie immer nur direkt am Stecker.
- Stellen Sie das Gerät nicht auf das Netzkabel und treten Sie nicht absichtlich auf das Kabel.
- Halten Sie das Netzkabel aus dem Weg, wenn das Gerät bewegt wird.

Wenn das Netzkabel beschädigt ist

- Verwenden Sie kein beschädigtes Netzkabel und lassen Sie es sofort durch einen Kundendienst des Herstellers oder einen qualifizierten Elektriker ersetzen.
- Falls erforderlich, lassen Sie das Netzkabel durch einen qualifizierten Elektriker mit einem Kabel von mindestens 0,75 mm² Querschnitt verlängern.

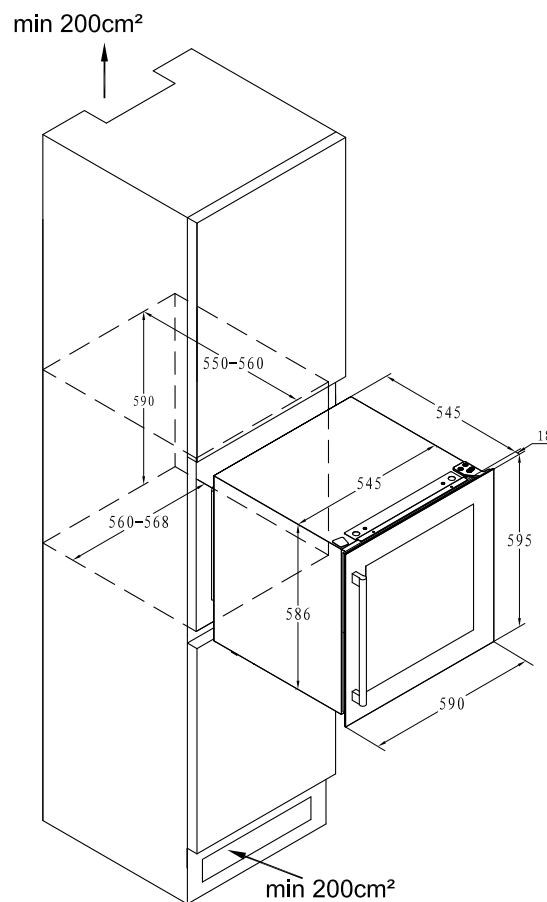
Installation

Aufstellungsort

-  Neigen Sie das Gerät nicht über 45°, wenn Sie es transportieren oder bewegen.
-  Das Gerät muss auf einen flachen, festen und trockenen Boden oder einen ähnlichen, nicht brennbaren Untergrund gestellt werden; verwenden Sie dazu nicht den Verpackungsschaumstoff.
-  Stellen Sie das Gerät nicht an einem nassen Ort auf.
-  Stellen Sie das Gerät nicht an einen Ort auf, an dem es einfrieren kann.
-  Setzen Sie das Gerät keinem starken Sonnenlicht oder Regen aus.

Das Gerät ist so konstruiert, dass es entweder unter einer Theke oder eigenständig auf dem Boden aufgestellt werden kann.

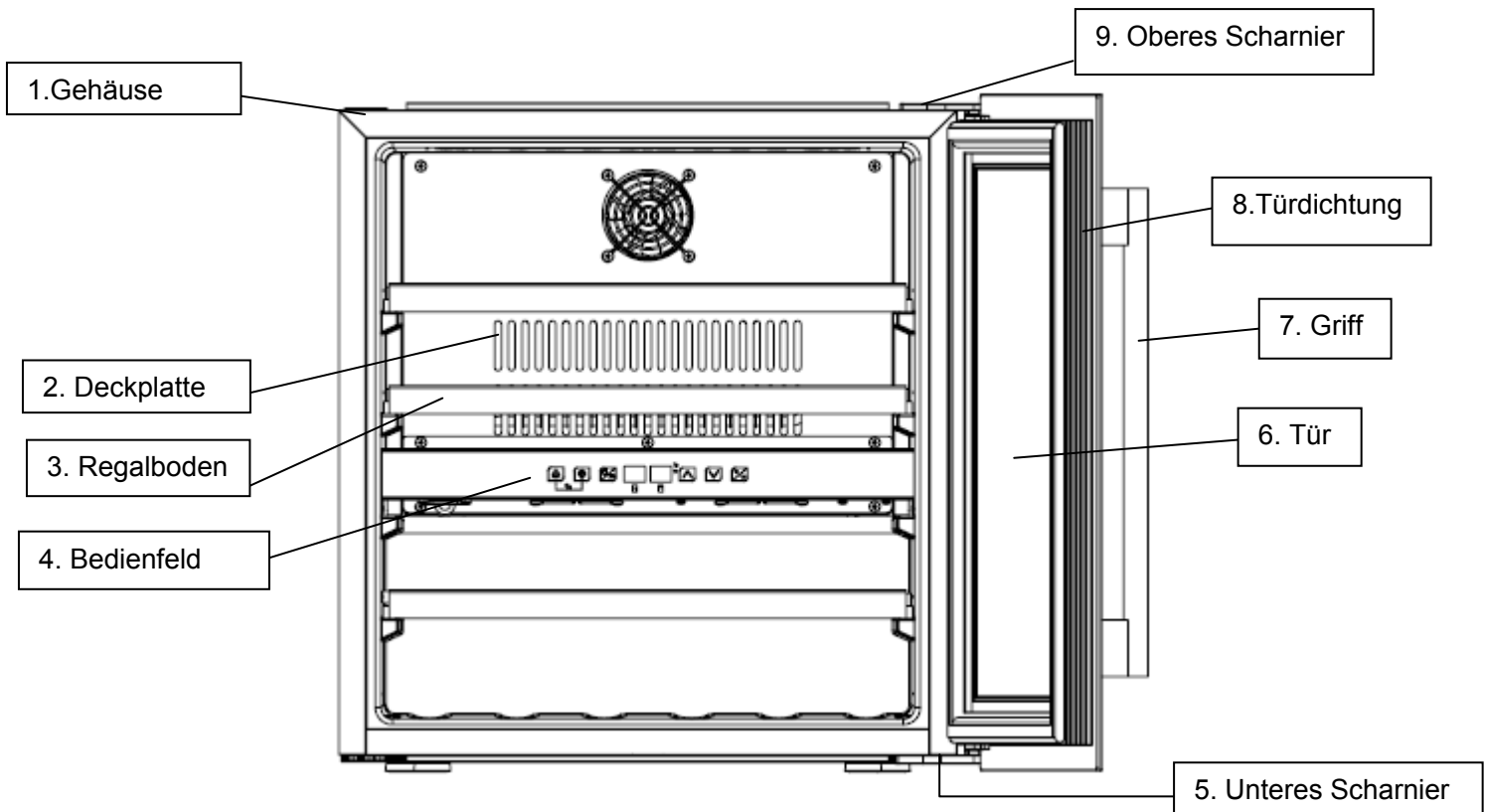
Demonstration zum Einbau in den Schrank:



Weinflaschen können eingelegt werden, wenn Sie nach etwa 1 Stunde Betrieb des Geräts eine Abkühlung im Inneren verspüren.

Beschreibung des Geräts

Bestandteile und deren Bezeichnungen



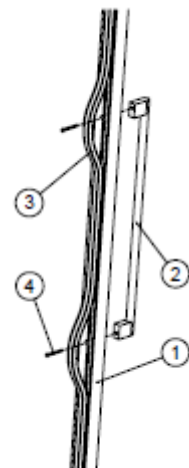
Hinweis: Einlegeböden, Türrahmen, Griff und andere Bestandteile können je nach Modell und Konfiguration unterschiedlich sein. Alle Fotos in diesem Handbuch dienen lediglich als Referenz. Es kann sein, dass das von Ihnen gekaufte Gerät nicht genauso aussieht, wie das hier gezeigte. Bitte sehen Sie sich alles an Ihrem tatsächlichen Gerät an.

Einbau des Griffs und Ändern des Türanschlags des Weinkühlers

1. Montieren Sie den Griff am Türrahmen des Geräts.

Der Griff wird zusammen mit den Schrauben in einer getrennten Verpackung innerhalb des Kartons geliefert.

- ① Legen Sie die zwei kleinen Montagelöcher am Türrahmen von der Innenseite her frei, indem Sie die Türdichtung etwas herausziehen.
- ② Richten Sie den Griff an den Löchern aus und setzen Sie die Schrauben von innen ein.
- ③ Ziehen Sie sie mit einem Schraubendreher fest.
- ④ Drücken Sie die Türdichtung zurück an ihre Stelle, um die Schrauben abzudecken.



2. Umkehren des Türanschlags

Unser Weinkühler wird mit einer rechts angeschlagenen Tür geliefert. Umkehren der Öffnungsrichtung:

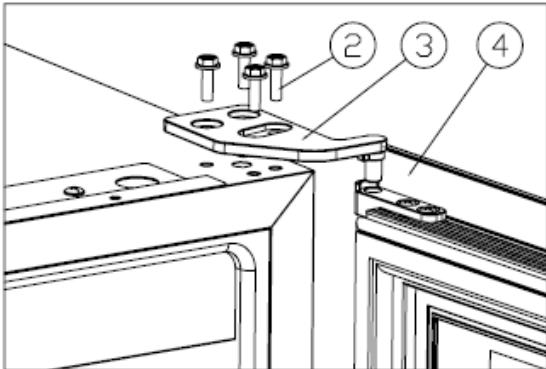


Abbildung 1

- ✧ Öffnen Sie die Tür zu 90 Grad und halten Sie sie ruhig.
- ✧ Schrauben Sie die Schrauben M5*16 ② heraus, demontieren Sie das rechte obere Scharnier ③ und nehmen Sie die Tür ab [Abbildung 1].

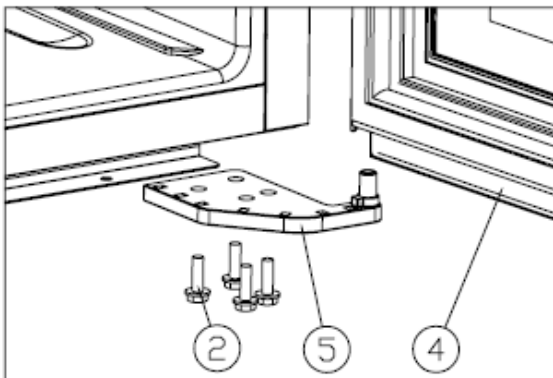


Abbildung 2

- ✧ Schrauben Sie die Schrauben M5*16 ② heraus und demontieren Sie das rechte untere Scharnier ⑤ [Abbildung 2].

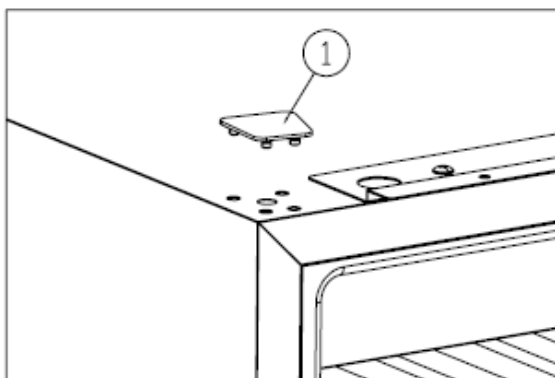


Abbildung 3

- ✧ Entfernen Sie die Lochkappe ①.[Abbildung 3]

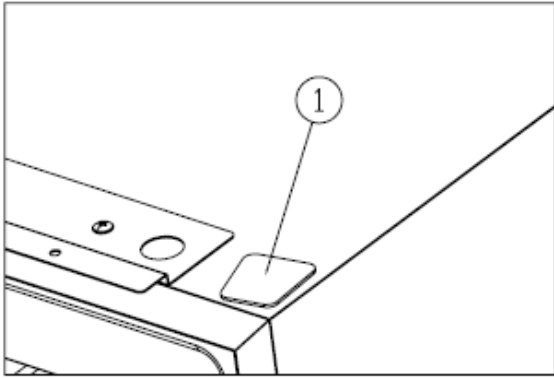


Abbildung 4

- ✧ Installieren Sie die Kappe ① auf der anderen Seite.[Abbildung 4]

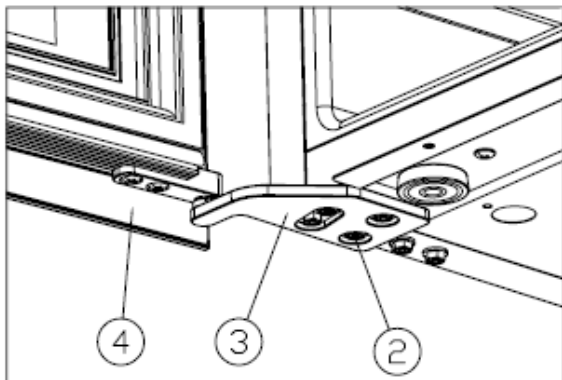


Abbildung 5

- ✧ Montieren Sie das rechte obere Scharnier ③ und ziehen Sie die Schrauben M5*16 ② fest [Abbildung 5].

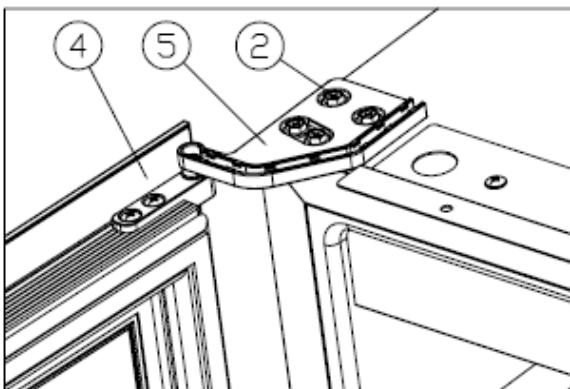
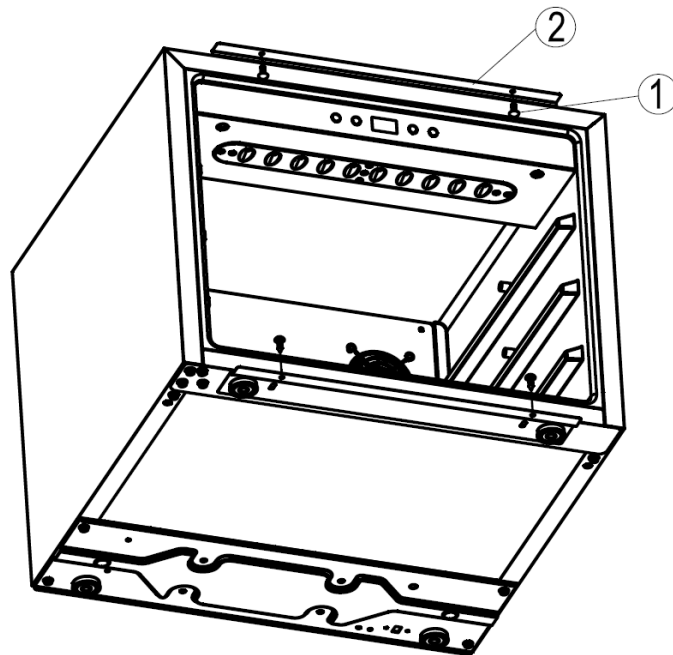


Abbildung 6

- ✧ Drehen Sie die Tür ④ um 180 Grad, setzen Sie das rechte untere Scharnier ⑤ ein und ziehen Sie die Schrauben M5*16 ② fest [Abbildung 6]. Das Umdrehen der Tür ist beendet.

3. Montage der Halterung



Das Gerät ist an der Ober- und Unterseite mit jeweils einem Paar Halterungen ausgestattet (②).

Dieses Paar Halterungen wird möglicherweise nicht benötigt und kann entsprechend Ihrer tatsächlichen Einbausituation entfernt werden, wenn Sie das Gerät in einen Schrank einbauen.

Wenn die Öffnungsgröße Ihres Schrankes größer als das Gerät ist, können Sie 4 Schrauben (①, ST4,0*13; separat in einer Plastiktüte verpackt) in die innere Holzplatte des Schrankes einschrauben.

Auf diese Weise wird das Gerät fest in Ihren Schrank eingebaut.

Hinweis: Der Verkäufer übernimmt keine Verantwortung für Schäden an der Tür oder anderen Teilen während des Betriebs, falls der Endbenutzer die Anweisung, das Gerät bei Bedarf im Schrank zu verankern, nicht befolgt.

Betrieb

Inbetriebnahme

1. Reinigen des Geräteinneren

Reinigen Sie vor dem Einschalten das Innere des Geräts und prüfen Sie, ob das Abflussrohr gut angeschlossen ist (Einzelheiten siehe „Wartung und Reinigung“).

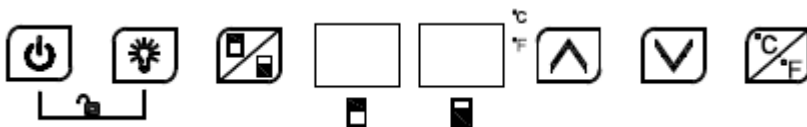
2. Lassen Sie das Gerät stehen

Vor dem Einschalten muss das Gerät nach dem Nivellieren auf einem festen und trockenen Boden mindestens 30 Minuten lang still stehen gelassen werden.

3. Einschalten

Das Gerät nimmt den Betrieb auf und sollte nach ca. 1 Stunde innen merklich abgekühlt sein. Andernfalls sollten Sie den Stromanschluss überprüfen.

Bedienfeld



Im Sperrmodus können die Tasten nicht bedient werden. Bitte entsperren Sie sie zuerst.



EIN/AUS

1. Wenn Sie diese Taste 3 Sekunden lang gedrückt halten, schaltet sich das Gerät aus und geht in den Bereitschaftsmodus.
2. Drücken Sie die Taste erneut 3 Sekunden lang, um zum normalen Betrieb zurückzukehren.



Beleuchtung

Durch Drücken dieser Taste schalten Sie die LED-Innenbeleuchtung ein oder aus. Im Bereitschaftsmodus ist diese Taste ohne Funktion.



Zonen-Schalter

Drücken Sie diese Taste, um zwischen der oberen Zone und der unteren Zone umzuschalten, d. h., um zu wählen, für welche Zone die Temperatur eingestellt werden soll. Wenn Sie die Taste einmal drücken, blinkt die LED-Anzeige in der gewählten Zone regelmäßig. Drücken Sie die Auf- und Ab-Taste, um die Temperatur einzustellen. Drücken Sie die Taste erneut, um die gewählte Temperatur für die Zone zu speichern.



Aufwärts

Wenn Sie diese Taste einmal drücken, zeigt die LED-Anzeige mit regelmäßigem Blinken die aktuell eingestellte Temperatur an. Drücken Sie sie erneut, um die Solltemperatur einzustellen; jeder Druck erhöht sie um 1 °C. Wenn keine Taste gedrückt wird, hört das regelmäßige Blinken nach 5 Sekunden auf und wird die aktuell eingestellte Temperatur gespeichert. Die LED-Anzeige zeigt dann wieder die aktuelle Temperatur im Inneren an.



Abwärts

Wenn Sie diese Taste einmal drücken, zeigt die LED-Anzeige mit regelmäßigem Blinken die aktuell eingestellte Temperatur an. Drücken Sie sie erneut, um die Solltemperatur einzustellen; jeder Druck verringert sie um 1 °C. Wenn keine Taste gedrückt wird, hört das regelmäßige Blinken nach 5 Sekunden auf und wird die aktuell eingestellte Temperatur gespeichert. Die LED-Anzeige zeigt dann wieder die aktuelle Temperatur im Inneren an.



Kindersicherung (Kombinationstaste)

1. Sperren: zum Sperren beide Tasten gleichzeitig 3 Sekunden lang drücken.
2. Entsperren: zum Entsperren beide Tasten gleichzeitig 3 Sekunden lang drücken.



Umschalten der Anzeige zwischen Fahrenheit/Celsius

Sie können die Temperaturanzeige zwischen Fahrenheit und Celsius umschalten, indem Sie diese Taste 3 Sekunden lang drücken.

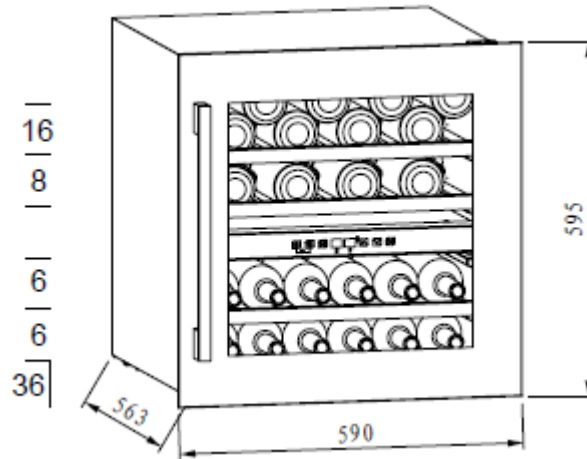


Achtung

1. Die werksseitig eingestellte Temperatur dieses Produkts beträgt 12 °C, und der entsprechende Temperaturbereich muss gemäß dem tatsächlichen Wein eingestellt werden.
2. Sowohl für die obere als auch für die untere Zone kann die Kühltemperatur von **5–22 °C** eingestellt werden. Die Temperatur der unteren Zone kann nur gleich oder höher eingestellt werden als die der oberen Zone.
3. Alarmton: Wenn eine Systemstörung auftritt und ein Alarmton ertönt, drücken Sie eine beliebige Taste auf dem Bedienfeld, um den Alarmton abzustellen.
4. Fehlercode:
Wenn der Temperatursensor der oberen Zone ausfällt, wird ein Fehlercode angezeigt: E1 für offenen Stromkreis; E2 für Kurzschluss.
Wenn der Abtaufühler ausfällt, wird ein Fehlercode angezeigt: E3 für offenen Stromkreis; E4 für Kurzschluss.
Wenn der Temperatursensor der unteren Zone ausfällt, wird ein Fehlercode angezeigt: E5 für offenen Stromkreis; E6 für Kurzschluss.

Lagerung von Wein

- ✧ Das Gerät ist mit einem ausreichenden unabhängigen Fach ausgestattet, damit Ihre Weinsammlung in Ruhe reifen kann
- ✧ Tragfähigkeit von drei Holzböden: **36** Flaschen. (Standard-Bordeaux mit 750 ml)



- ✧ Die Tragfähigkeit variiert je nach der Art der Flaschenanordnung bzw. der verschiedenen Flaschengrößen.
- ✧ Jedes Fach ist so konzipiert, dass es 1 bis 2 Lagen Weinflaschen aufnehmen kann. Mehr als 2 Lagen Flaschen auf einem Fach werden nicht empfohlen.
- ✧ Jedes Fach kann ein Stück herausgezogen werden, um Weinflaschen leicht einzulagern.
- ✧ Öffnen Sie die Tür gerade genug, bevor Sie die Fächer herausziehen.
- ✧ Das Fach vor dem Ventilator sollte so weit wie möglich vermieden werden, um den Lufteinlass nicht zu blockieren und die Kühleffizienz nicht zu beeinträchtigen.
- ✧ Wenn der Weinkühler längere Zeit leer sein sollte, wird empfohlen, ihn auszuschalten, sorgfältig zu reinigen und die Tür zur Belüftung zu öffnen.
- ✧ Unten stehende Tabelle zeigt die empfohlene Temperatur für die Lagerung und das Trinken von Wein:

Rotwein	15–18 °C
Weißwein	9–14 °C
Roséwein	10–11 °C
Champagner und Sekt	5–8 °C

Fehlerbehebung

Das Gerät macht viel Lärm	<ul style="list-style-type: none"> ● Bitte stellen Sie den Vorderfuß ein, halten Sie das Gerät nivelliert. ● Bitte halten Sie etwas Abstand zwischen den Wänden und dem Gerät.
Flüssigkeitsgeräusche im Inneren des Gehäuses	<ul style="list-style-type: none"> ● Das ist normal, weil das Kältemittel im Inneren arbeitet.
Das Gerät startet nicht	<ul style="list-style-type: none"> ● Vergewissern Sie sich, dass das Gerät ordnungsgemäß ans Stromnetz angeschlossen ist. ● Vergewissern Sie sich, dass der Strom eingeschaltet ist. ● Nach einem Stromausfall startet der Kompressor nach 5 Minuten erneut.
Der Kompressor läuft ständig	<ul style="list-style-type: none"> ● Wenn keine Kälte produziert wird, rufen Sie den Kundendienst an.
Die Tür schließt nicht dicht ab	<ul style="list-style-type: none"> ● Nach langem Gebrauch kann die Türdichtung steif werden und sich teilweise verziehen. <ol style="list-style-type: none"> 1. Erwärmen Sie die Türdichtung mit einem Heißgebläse oder einem heißen Handtuch. 2. Die Türdichtung wird aufgeweicht und schließt die Tür.
Das Gerät kühlt nicht ausreichend	<ul style="list-style-type: none"> ● Bitte passen Sie die Temperatureinstellung an. ● Halten Sie das Gerät von Sonnenlicht und Hitze fern. ● Bitte öffnen Sie die Tür nicht oft.
Unangenehme Gerüche im Schrank	<ul style="list-style-type: none"> ● Etwas Plastikgeruch bei neu gekauften Geräten ist normal und verschwindet nach kurzer Zeit. ● Reinigen Sie das Abteil und lüften Sie es einige Stunden lang.
Kondenswasser an der Glastür	<ul style="list-style-type: none"> ● Bitte öffnen Sie die Tür nicht oft oder für längere Zeit. ● Bitte stellen Sie die Temperatur nicht zu niedrig ein. ● Eine hohe Umgebungstemperatur und Luftfeuchtigkeit führt zu Kondensatbildung.
Das Licht funktioniert nicht	<ul style="list-style-type: none"> ● Prüfen Sie als Erstes die Stromversorgung. ● Rufen Sie den Kundendienst des Einzelhändlers an, wenn das Licht kaputt ist.

Wartung und Reinigung

Reinigung

- Trennen Sie das Gerät vor der Reinigung vom Netz.
- Reinigen Sie das Gerät mit einem weichen Tuch oder Schwamm mit Wasser.
- Verwenden Sie keine organischen Lösungsmittel, alkalische Reinigungsmittel, kochendes Wasser, Waschpulver oder säurehaltige Flüssigkeiten usw.
- Spülen Sie nicht das Fach des Geräts mit Wasser.
- Reinigen Sie regelmäßig Oberflächen, die mit zugänglichen Entwässerungssystemen in Kontakt kommen können.

Folgende Produkte beschädigen die Oberfläche des Weinkühlers:



Stromausfall

Die meisten Stromausfälle werden innerhalb kurzer Zeit behoben. Um Ihre Weine während eines Stromausfalls zu schützen, sollten Sie das Öffnen der Tür so weit wie möglich vermeiden. Ergreifen Sie bei sehr langen Stromausfällen die notwendigen Maßnahmen, um Ihren Wein zu schützen.

Lange Zeit außer Betrieb

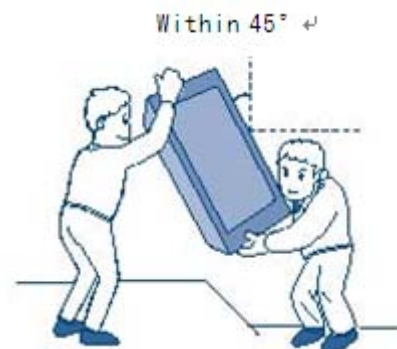
Nehmen Sie alle Flaschen aus dem Gerät, schalten Sie es aus und tauen Sie es ab, reinigen Sie es, trocknen Sie es ab und lassen Sie die Tür offen, um Schimmelbildung im Gerät zu vermeiden.



Wenn das Gerät ausgeschaltet wird oder ein Stromausfall eintritt, müssen Sie mindestens fünf Minuten warten, bevor Sie das Gerät wieder in Betrieb nehmen können.

Transportieren des Geräts

- Schalten Sie die Stromversorgung aus und ziehen Sie den Netzstecker des Geräts.
- Entfernen Sie alle Flaschen aus dem Gerät.
- Wenn Sie das Gerät bewegen, neigen Sie es nicht über 45°.



Technische Daten

Produktmodell	NorCare V36BK
Spannung/Frequenz	220–240 V~, 50 Hz
Kältemittel/Gewicht	R600a/25 g
Fassungsvermögen	85 l
Tragfähigkeit	36 Flaschen
Nettogewicht	33,2 kg
Abmessungen des Geräts (BxTxH)	590×563×595mm
Verpackungsmaße (BxTxH)	650×650×655mm

Anmerkungen:

1. Das Nettogewicht beinhaltet die Einlegeböden, und die Abmessungen des Geräts sind ohne Griff an der Tür.
2. Der Hersteller behält sich das Recht vor, die oben genannten Parameter ohne vorherige Ankündigung zu ändern. Bitte beachten Sie das Typenschild Ihres Geräts.
3. Die Tragfähigkeit variiert je nach der Art der Flaschenanordnung bzw. der verschiedenen Flaschengrößen (hier wird ein Standard-Bordeaux mit 750 ml verwendet).



CNA
group

CATA ELECTRODOMÉSTICOS, S.L.

Oficinas: c/ Anabel Segura, 11, Edif. A, 3a pl. 28108. Alcobendas. Madrid. España

Fábrica: c/ del Ter 2, Apdo. 9. 08570. Torelló. Barcelona. España

T . +34 938 594 100 - Fax +34 938 594 101

www.cnagroup.es - cna@cnagroup.es

Atención al Cliente: 902 410 450 / +34 938 521 818 - info@cnagroup.es

SAT Central Portugal: +351 214 349 771 - service@junis.pt

6082087001022021